



Features

- IR 521UT is 5" (127) deep and has a 2-3/4" (69.9) sightline
{Expansion mullions have a 2-3/4" (69.9) sightline}
- Screw Spline fabrication
- IR 521UT Dual Isolock® lanced pour and debridge thermal break
- Center glazed
- Outside or inside glazed
- Permanodic® anodized finishes option
- Painted finishes in standard and custom choices

Optional Features

- Integrated entrance framing
Note: Entrance framing is undergoing certified testing, expected 2025.
- 350/500 IR Entrances - single or pairs
- 350/500 Heavy Wall™ Entrances - single or pairs
- 350T/500T Insulpour® thermal entrances - single or pairs
- Flushline® Entrances - single or pairs
- Strap anchor at head and jamb

Product Applications

- Impact resistant
- Blast mitigation
- Storefront, ribbon window or punched opening
- Low to mid-rise
- Single span
- GLASSvent® UT Windows for Storefront Framing are easily incorporated

For specific product applications,
consult your Kawneer representative.



Laws and building and safety codes governing the design and use of Kawneer products, such as glazed entrance, window, and curtain wall products, vary widely. Kawneer does not control the selection of product configurations, operating hardware, or glazing materials, and assumes no responsibility therefor.

Kawneer reserves the right to change configuration without prior notice when deemed necessary for product improvement.
© 2024, Kawneer Company, Inc.



FRAMING DETAILS - OUTSIDE GLAZED (WET) 4-8
FRAMING DETAILS - OUSIDE GLAZED (DRY) 9-13
FRAMING DETAILS - INSIDE GLAZED (WET) 14-18
FRAMING DETAILS - INIDE GLAZED (DRY) 19-23
ENTRANCE FRAMING DETAILS..... 24
WIND LOAD CHARTS 26-34
DEADLOAD CHARTS 35-38

Laws and building and safety codes governing the design and use of Kawneer products, such as glazed entrance, window, and curtain wall products, vary widely. Kawneer does not control the selection of product configurations, operating hardware, or glazing materials, and assumes no responsibility therefor.

Kawneer reserves the right to change configuration without prior notice when deemed necessary for product improvement.
 © 2024, Kawneer Company, Inc.

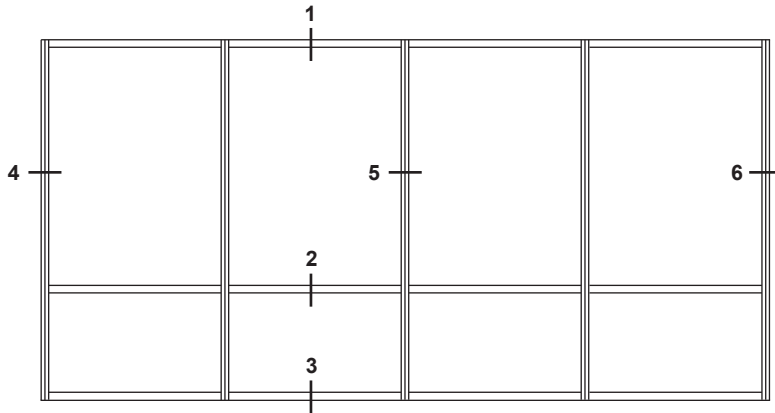
Metric (SI) conversion figures are included throughout these details for reference. Numbers in parentheses () are millimeters unless otherwise noted.

The following metric (SI) units are found in these details:

- m – meter
- cm – centimeter
- mm – millimeter
- s – second
- Pa – pascal
- MPa – megapascal

 HURRICANE RESISTANT PRODUCT

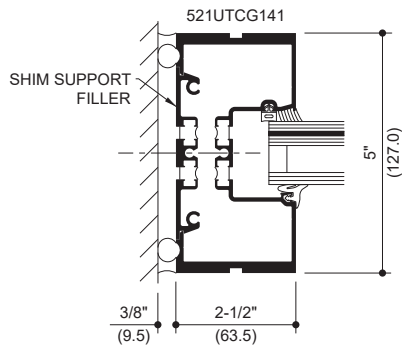
Additional information and CAD details are available at www.kawneer.com



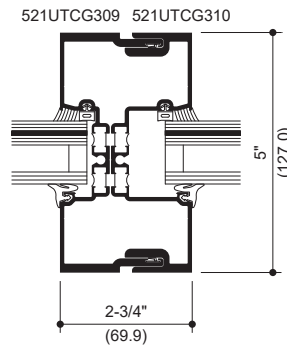
ELEVATION IS NUMBER KEYED TO DETAILS



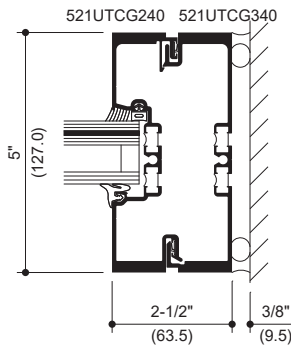
IR 521UT Double IsoLock®
THERMAL BREAK



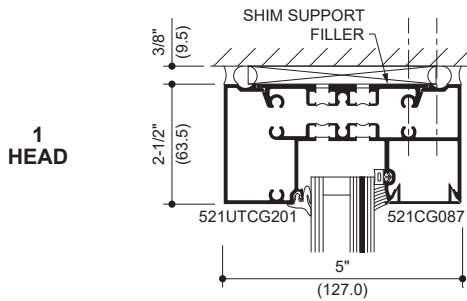
4
FIRST BAY JAMB



5
VERTICAL MULLION

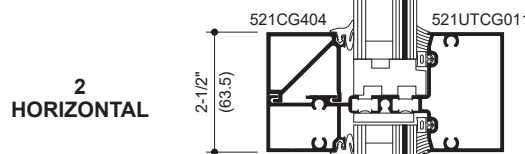


6
LAST BAY JAMB

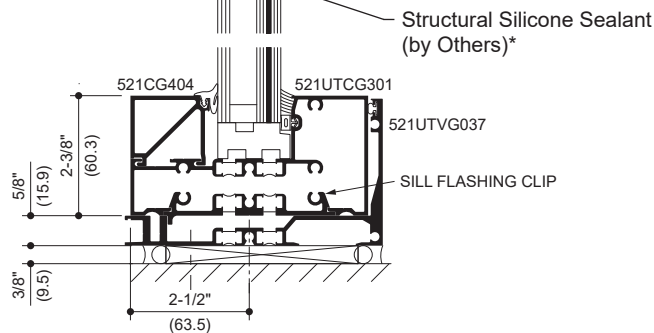


1
HEAD

1-5/16" INFILL
(PRE GLAZED - WET GLAZED)



2
HORIZONTAL



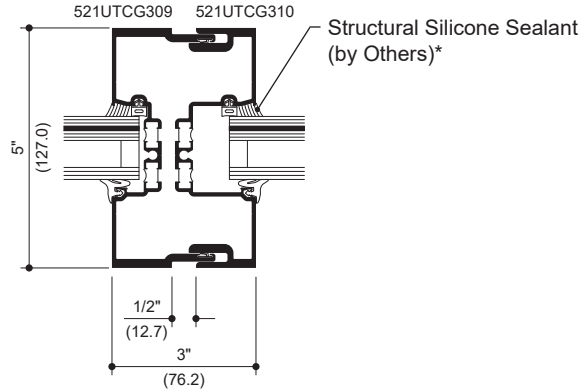
3
SILL

* INSTALLER NOTE: Installer is responsible for all required compatibility review and approvals with the Structural Silicone Manufacturer and the Insulating Glass Unit Manufacturer.

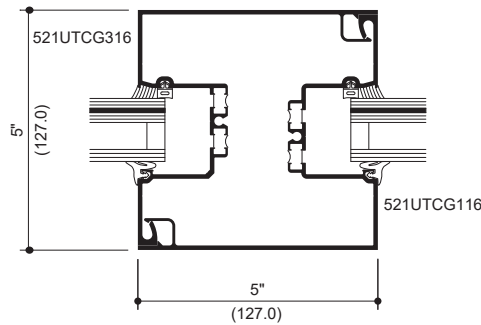


Additional information and CAD details are available at www.kawneer.com

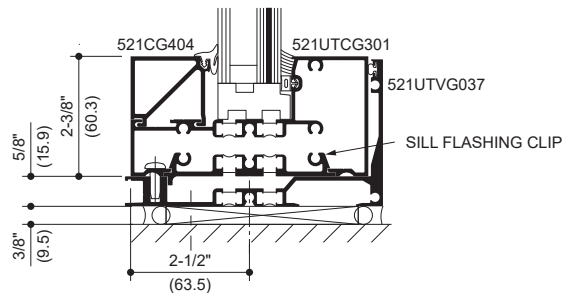
1-5/16" INFILL (PRE GLAZED - WET GLAZED)



EXPANSION MULLION



5" x 5" MULLION



PINNED HORIZONTAL TO SILL FLASHING

* **INSTALLER NOTE:** Installer is responsible for all required compatibility review and approvals with the Structural Silicone Manufacturer and the Insulating Glass Unit Manufacturer.

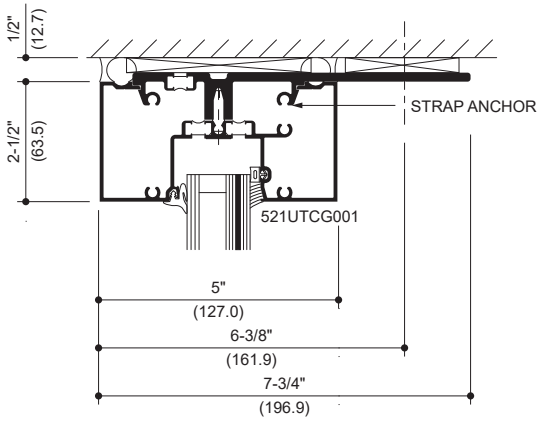
Laws and building and safety codes governing the design and use of Kawneer products, such as glazed entrance, window, and curtain wall products, vary widely. Kawneer does not control the selection of product configurations, operating hardware, or glazing materials, and assumes no responsibility therefor.

Kawneer reserves the right to change configuration without prior notice when deemed necessary for product improvement.
© 2024, Kawneer Company, Inc.

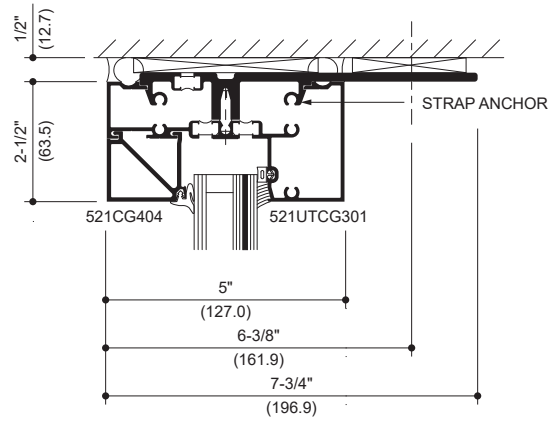


Additional information and CAD details are available at www.kawneer.com

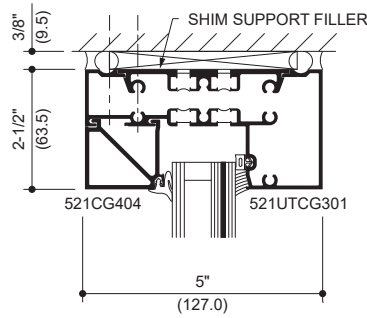
1-5/16" INFILL (PRE GLAZED - WET GLAZED)



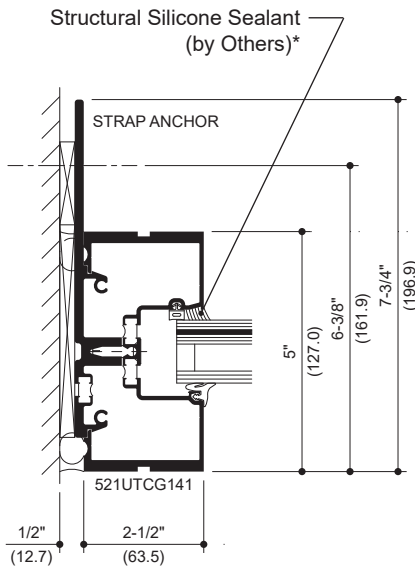
HEAD



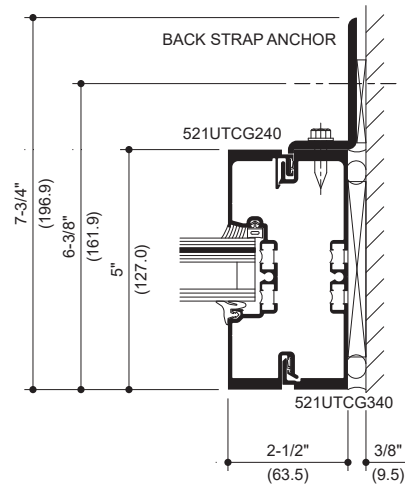
OPTIONAL HEAD WITH STOP



OPTIONAL HEAD WITH STOP



FIRST BAY JAMB

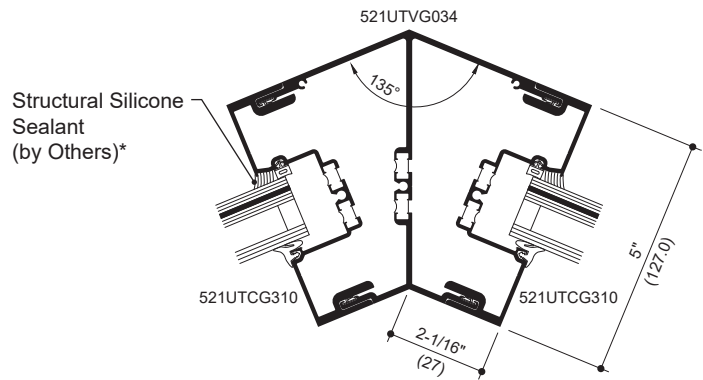
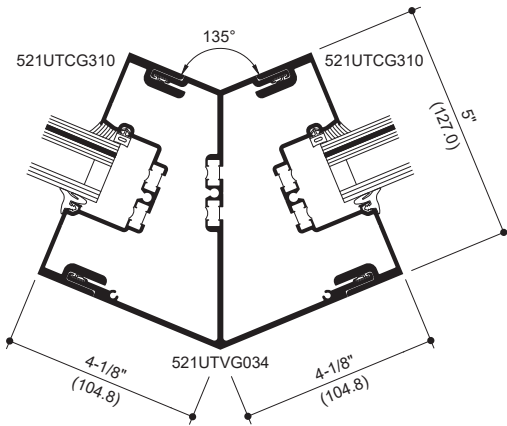
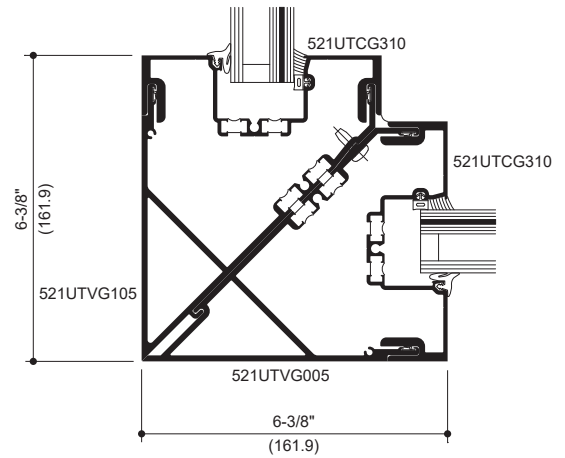
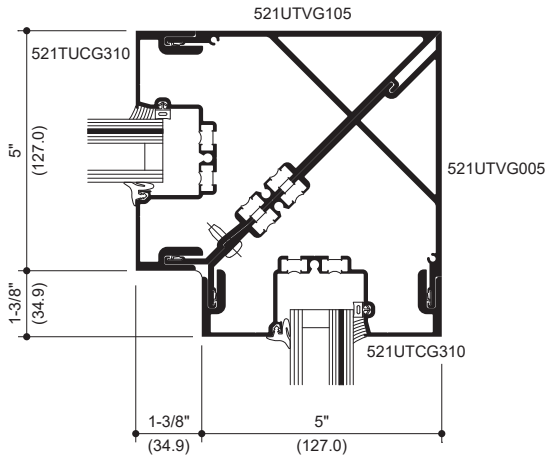


LAST BAY JAMB

* **INSTALLER NOTE:** Installer is responsible for all required compatibility review and approvals with the Structural Silicone Manufacturer and the Insulating Glass Unit Manufacturer.

Additional information and CAD details are available at www.kawneer.com

1-5/16" INFILL (PRE GLAZED - WET GLAZED)



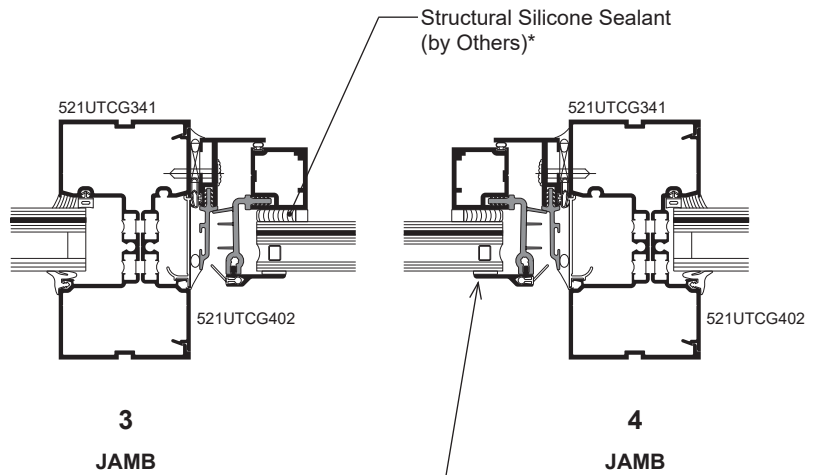
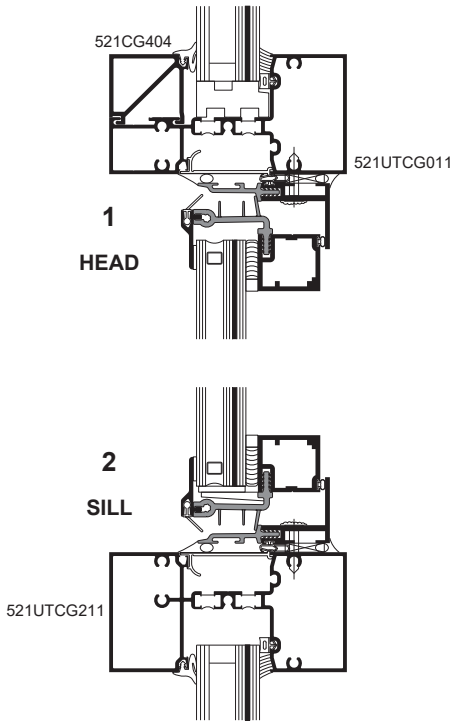
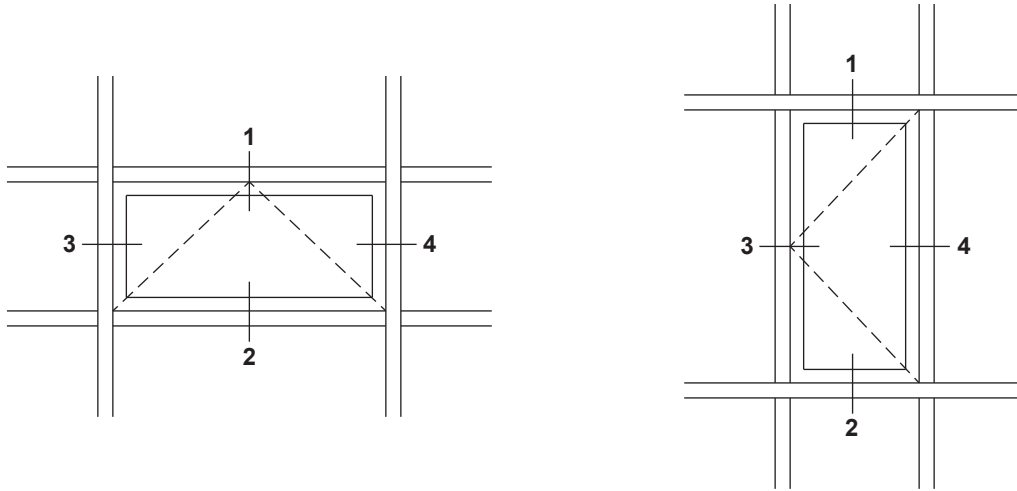
* **INSTALLER NOTE:** Installer is responsible for all required compatibility review and approvals with the Structural Silicone Manufacturer and the Insulating Glass Unit Manufacturer.

Laws and building and safety codes governing the design and use of Kawneer products, such as glazed entrance, window, and curtain wall products, vary widely. Kawneer does not control the selection of product configurations, operating hardware, or glazing materials, and assumes no responsibility therefor.

Kawneer reserves the right to change configuration without prior notice when deemed necessary for product improvement.
© 2024, Kawneer Company, Inc.



1-5/16" INFILL (PRE GLAZED - WET GLAZED)

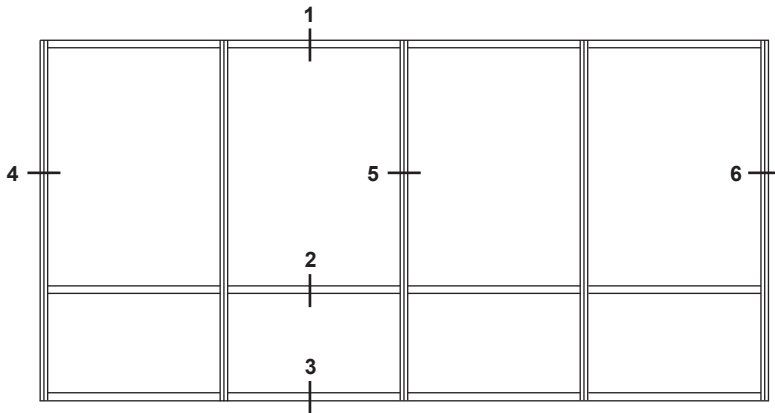


Laws and building and safety codes governing the design and use of Kawneer products, such as glazed entrance, window, and curtain wall products, vary widely. Kawneer does not control the selection of product configurations, operating hardware, or glazing materials, and assumes no responsibility therefor.

Kawneer reserves the right to change configuration without prior notice when deemed necessary for product improvement.
© 2024, Kawneer Company, Inc.

* INSTALLER NOTE: Installer is responsible for all required compatibility review and approvals with the Structural Silicone, Structural Glazing Tape, and Insulating Glass Unit Manufacturers.

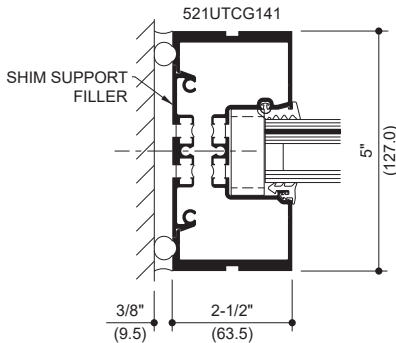
Additional information and CAD details are available at www.kawneer.com



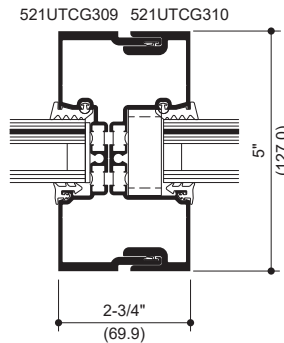
ELEVATION IS NUMBER KEYED TO DETAILS



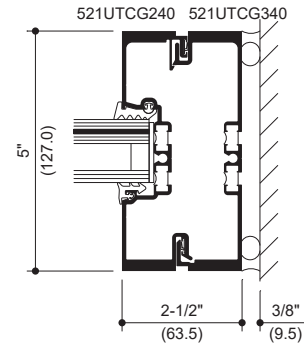
IR 521UT Double IsoLock®
THERMAL BREAK



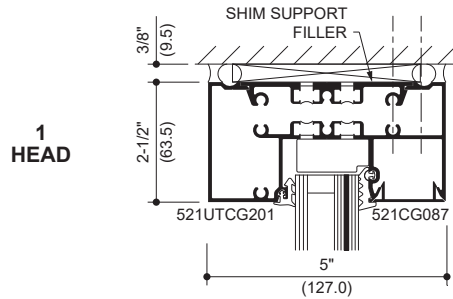
4
FIRST BAY JAMB



5
VERTICAL MULLION

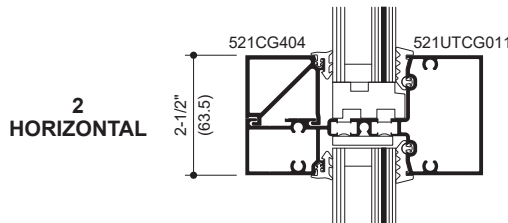


6
LAST BAY JAMB

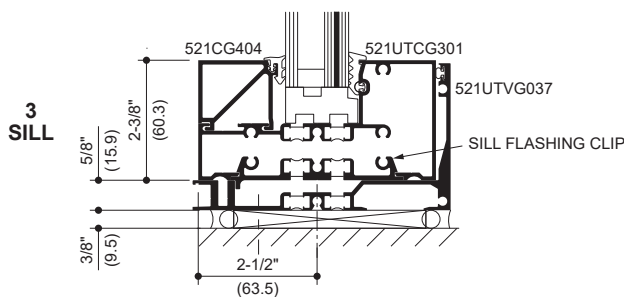


1
HEAD

1-5/16" INFILL
(PRE GLAZED - DRY GLAZED)



2
HORIZONTAL



3
SILL

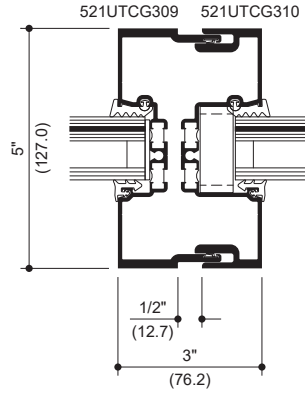
Laws and building and safety codes governing the design and use of Kawneer products, such as glazed entrance, window, and curtain wall products, vary widely. Kawneer does not control the selection of product configurations, operating hardware, or glazing materials, and assumes no responsibility therefor.

Kawneer reserves the right to change configuration without prior notice when deemed necessary for product improvement.
© 2024, Kawneer Company, Inc.

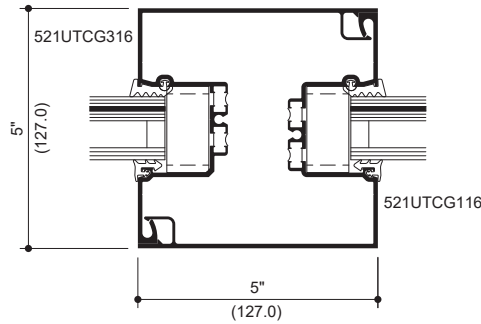


Additional information and CAD details are available at www.kawneer.com

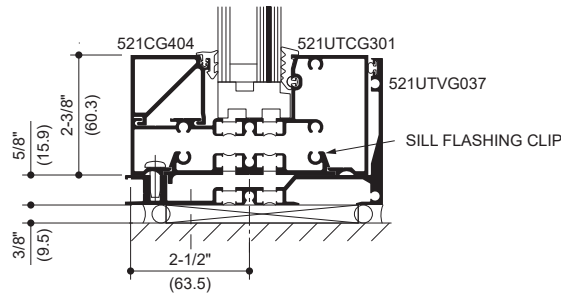
1-5/16" INFILL (PRE GLAZED - DRY GLAZED)



EXPANSION MULLION



5" x 5" MULLION



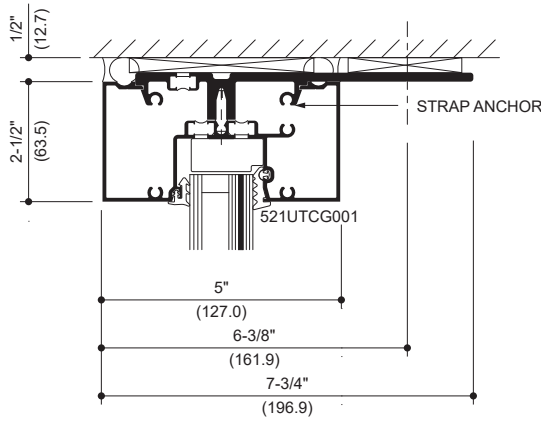
PINNED HORIZONTAL TO SILL FLASHING

Laws and building and safety codes governing the design and use of Kawneer products, such as glazed entrance, window, and curtain wall products, vary widely. Kawneer does not control the selection of product configurations, operating hardware, or glazing materials, and assumes no responsibility therefor.

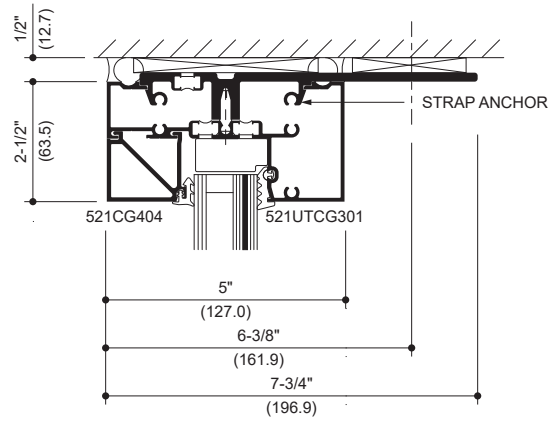
Kawneer reserves the right to change configuration without prior notice when deemed necessary for product improvement.
© 2024, Kawneer Company, Inc.

Additional information and CAD details are available at www.kawneer.com

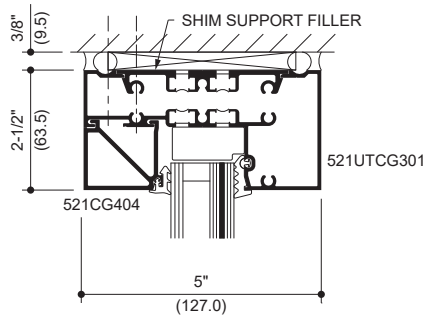
1-5/16" INFILL (PRE GLAZED - DRY GLAZED)



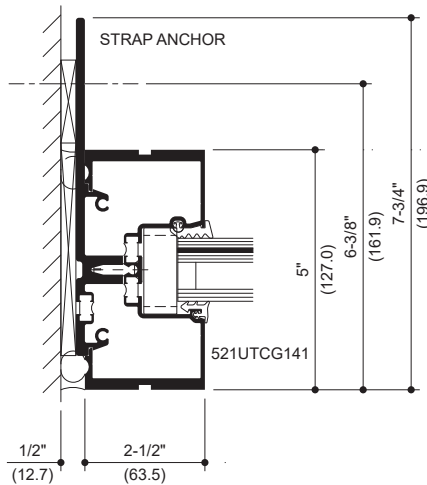
HEAD



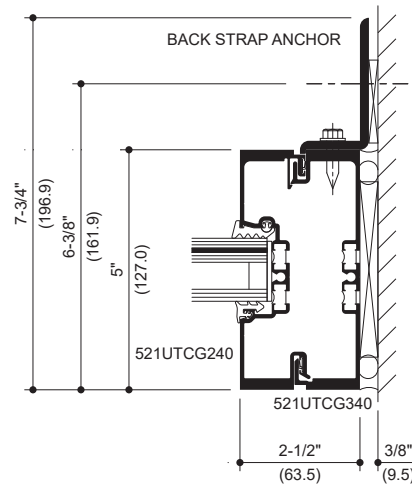
OPTIONAL HEAD WITH STOP



OPTIONAL HEAD WITH STOP



FIRST BAY JAMB



LAST BAY JAMB

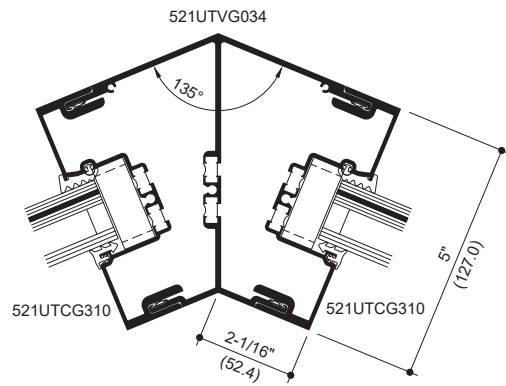
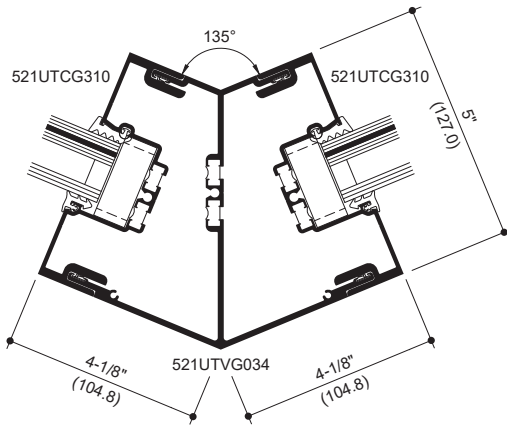
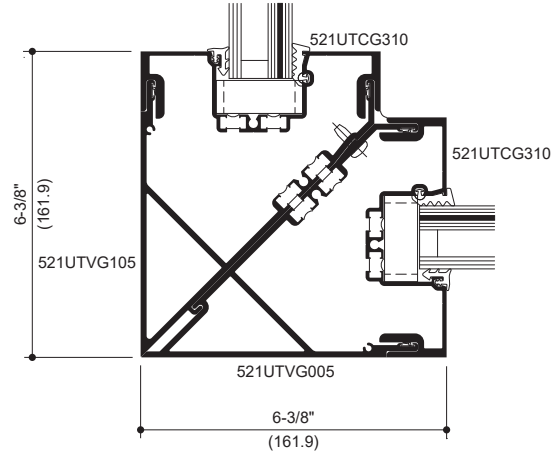
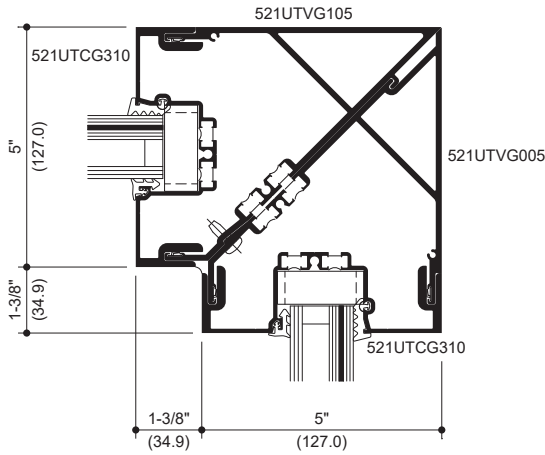
Laws and building and safety codes governing the design and use of Kawneer products, such as glazed entrance, window, and curtain wall products, vary widely. Kawneer does not control the selection of product configurations, operating hardware, or glazing materials, and assumes no responsibility therefor.

Kawneer reserves the right to change configuration without prior notice when deemed necessary for product improvement.
© 2024, Kawneer Company, Inc.



Additional information and CAD details are available at www.kawneer.com

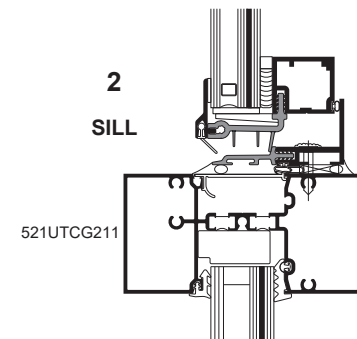
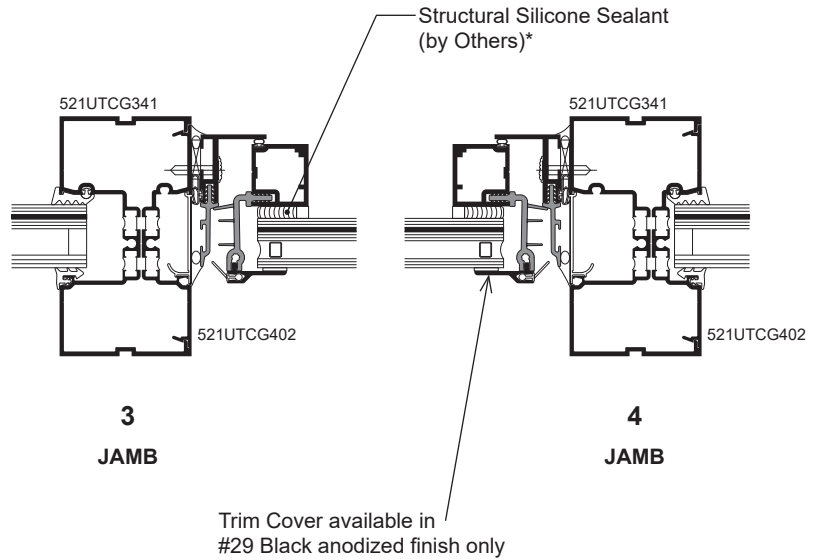
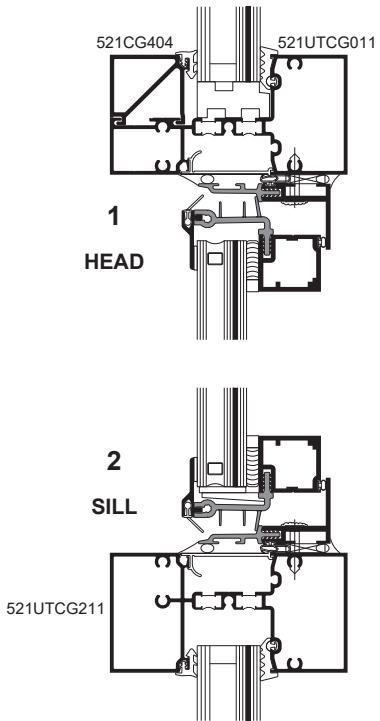
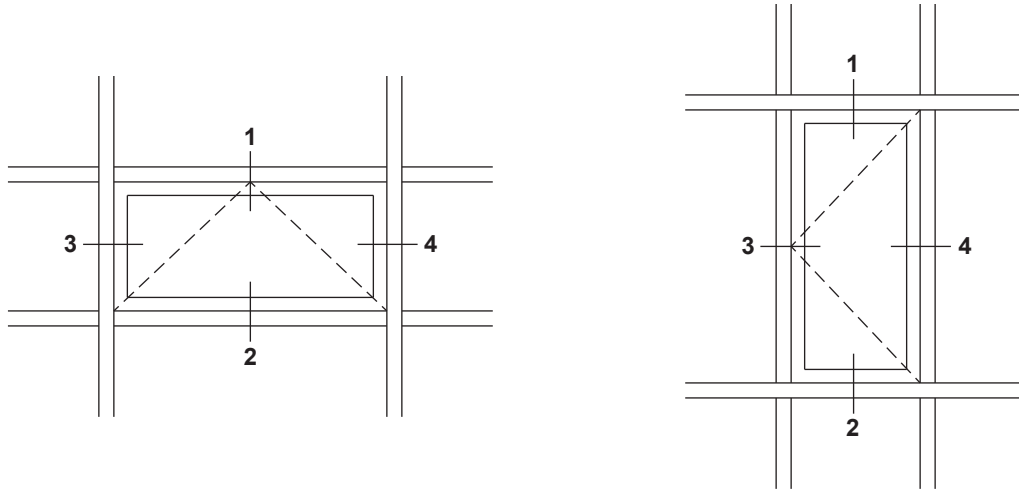
1-5/16" INFILL (PRE GLAZED - DRY GLAZED)



Laws and building and safety codes governing the design and use of Kawneer products, such as glazed entrance, window, and curtain wall products, vary widely. Kawneer does not control the selection of product configurations, operating hardware, or glazing materials, and assumes no responsibility therefor.

Kawneer reserves the right to change configuration without prior notice when deemed necessary for product improvement.
© 2024, Kawneer Company, Inc.

1-5/16" INFILL (PRE GLAZED - DRY GLAZED)



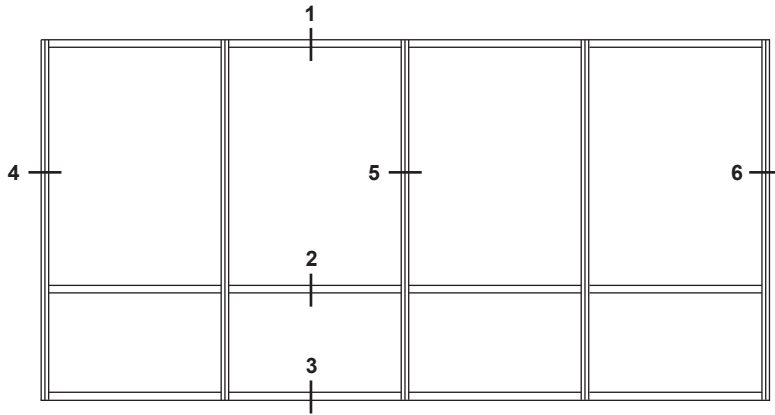
* **INSTALLER NOTE:** Installer is responsible for all required compatibility review and approvals with the Structural Silicone, Structural Glazing Tape, and Insulating Glass Unit Manufacturers.

Laws and building and safety codes governing the design and use of Kawneer products, such as glazed entrance, window, and curtain wall products, vary widely. Kawneer does not control the selection of product configurations, operating hardware, or glazing materials, and assumes no responsibility therefor.

Kawneer reserves the right to change configuration without prior notice when deemed necessary for product improvement.
© 2024, Kawneer Company, Inc.



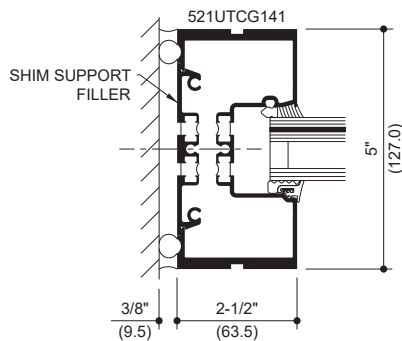
Additional information and CAD details are available at www.kawneer.com



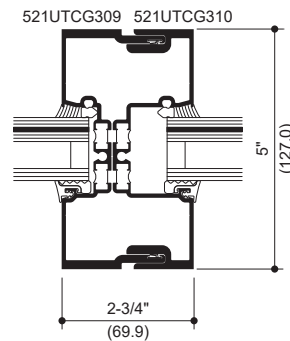
ELEVATION IS NUMBER KEYED TO DETAILS



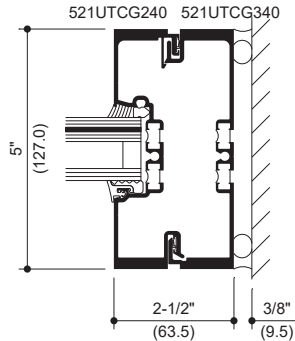
IR 521UT Double IsoLock®
THERMAL BREAK



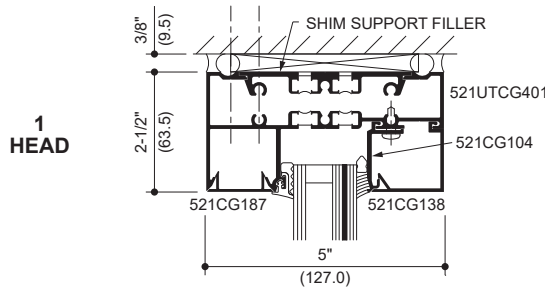
4
FIRST BAY JAMB



5
VERTICAL MULLION

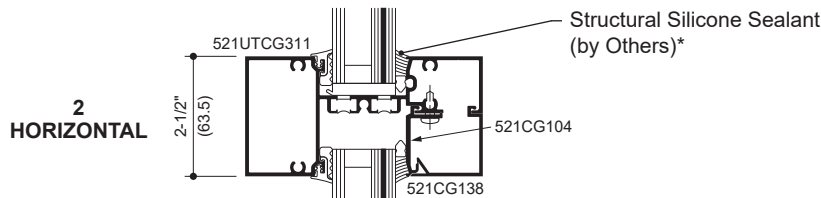


6
LAST BAY JAMB

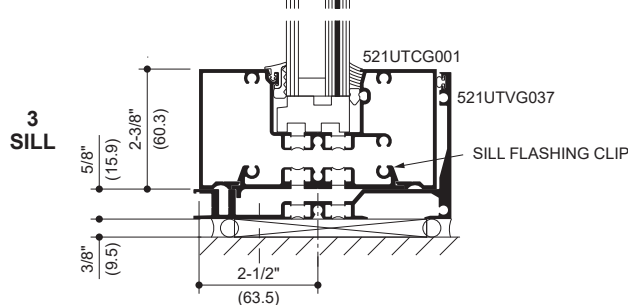


1
HEAD

1-5/16" INFILL
(PRE GLAZED - WET GLAZED)



2
HORIZONTAL

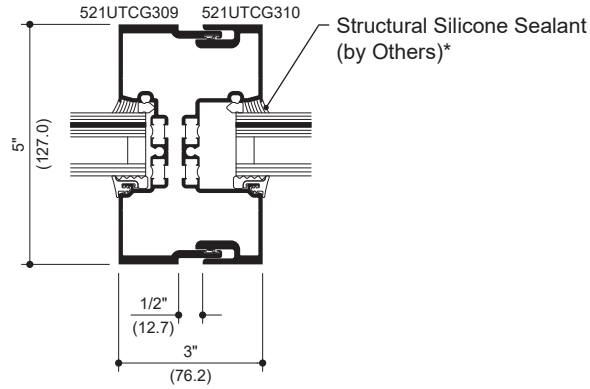


3
SILL

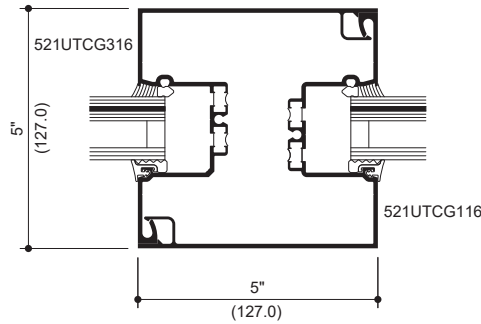
* INSTALLER NOTE: Installer is responsible for all required compatibility review and approvals with the Structural Silicone Manufacturer and the Insulating Glass Unit Manufacturer.

Additional information and CAD details are available at www.kawneer.com

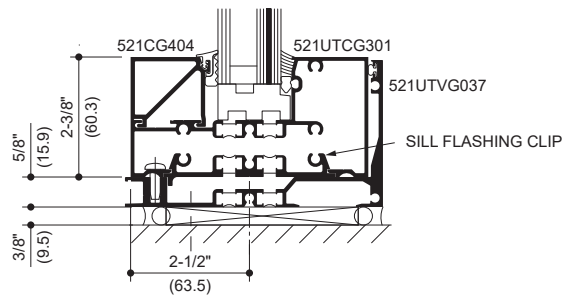
1-5/16" INFILL (PRE GLAZED - WET GLAZED)



EXPANSION MULLION



5" x 5" MULLION



PINNED HORIZONTAL TO SILL FLASHING

* **INSTALLER NOTE:** Installer is responsible for all required compatibility review and approvals with the Structural Silicone Manufacturer and the Insulating Glass Unit Manufacturer.

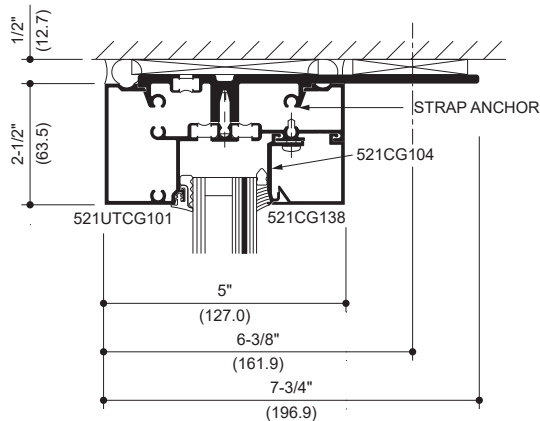
Laws and building and safety codes governing the design and use of Kawneer products, such as glazed entrance, window, and curtain wall products, vary widely. Kawneer does not control the selection of product configurations, operating hardware, or glazing materials, and assumes no responsibility therefor.

Kawneer reserves the right to change configuration without prior notice when deemed necessary for product improvement.
© 2024, Kawneer Company, Inc.

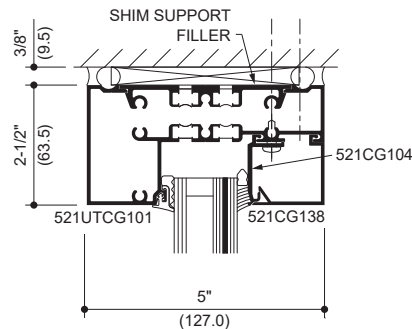


Additional information and CAD details are available at www.kawneer.com

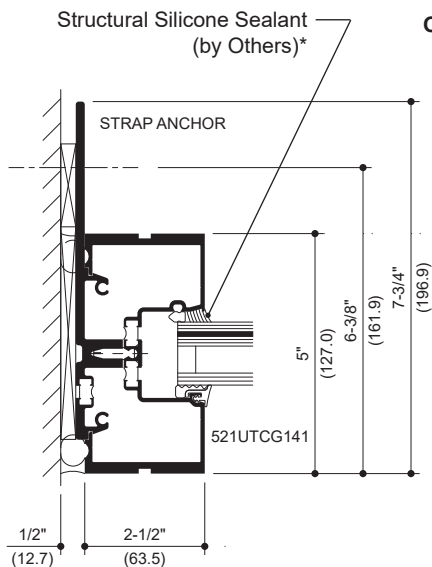
1-5/16" INFILL (PRE GLAZED - WET GLAZED)



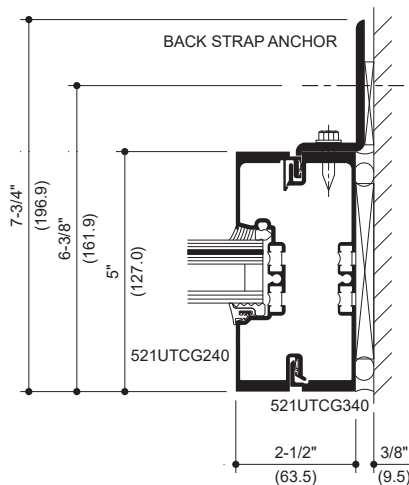
HEAD



OPTIONAL HEAD WITH STOP



FIRST BAY JAMB

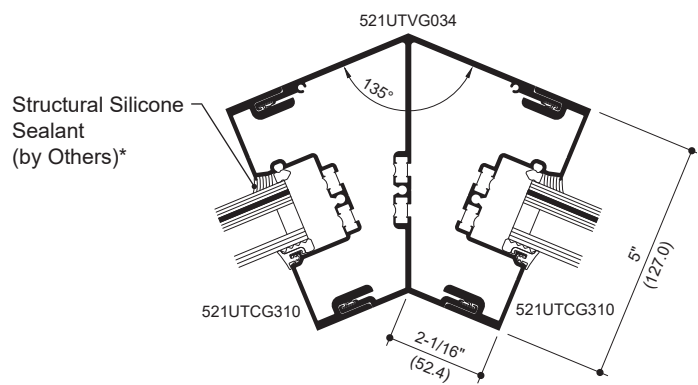
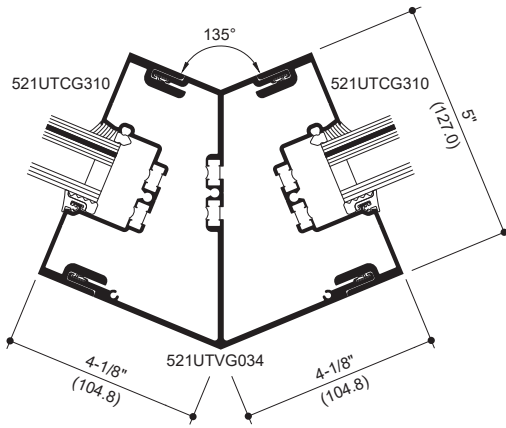
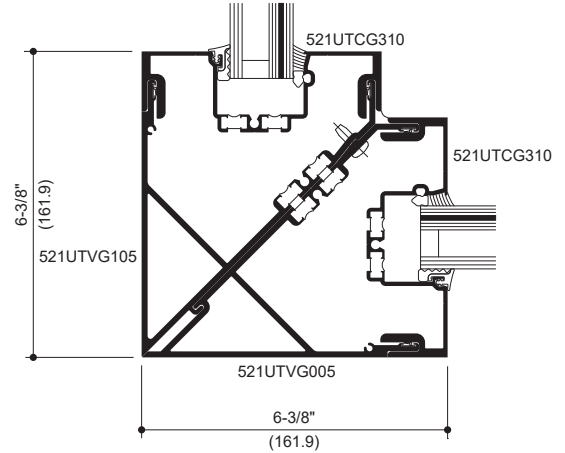
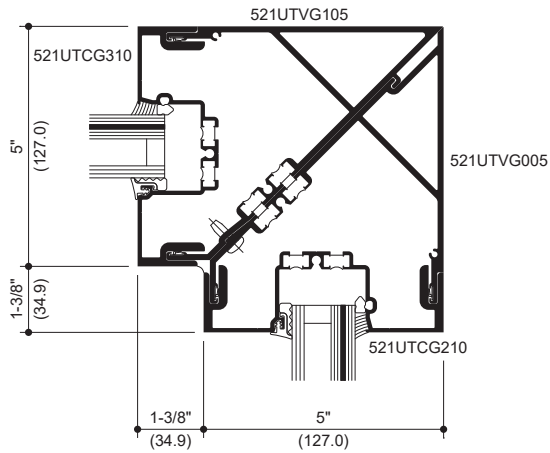


LAST BAY JAMB

* **INSTALLER NOTE:** Installer is responsible for all required compatibility review and approvals with the Structural Silicone Manufacturer and the Insulating Glass Unit Manufacturer.

Additional information and CAD details are available at www.kawneer.com

1-5/16" INFILL (PRE GLAZED - WET GLAZED)



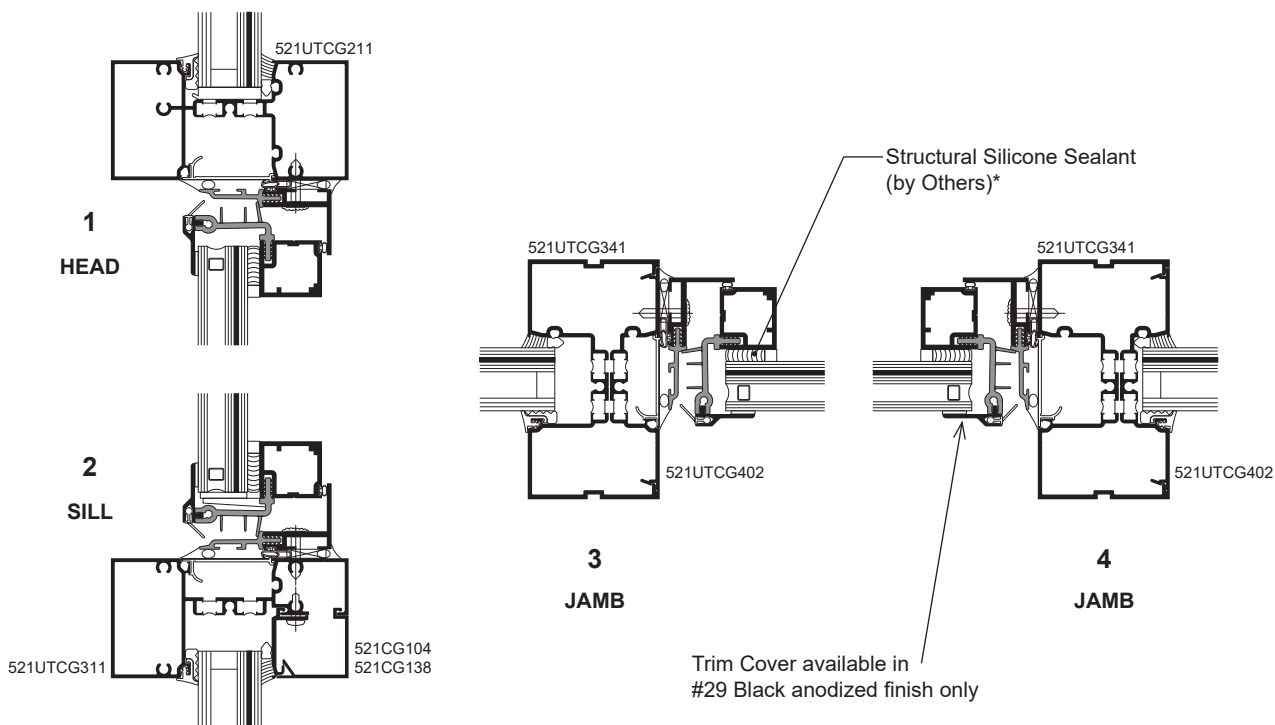
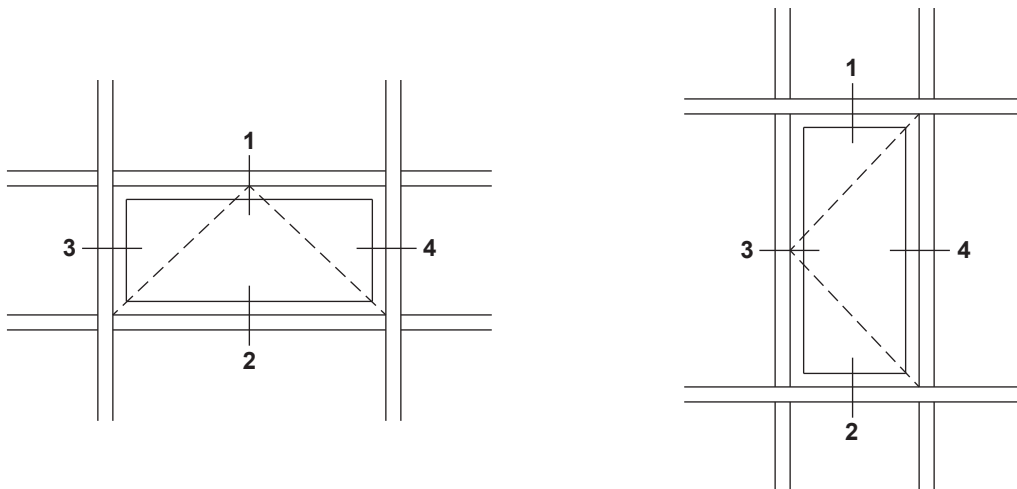
* **INSTALLER NOTE:** Installer is responsible for all required compatibility review and approvals with the Structural Silicone Manufacturer and the Insulating Glass Unit Manufacturer.

Laws and building and safety codes governing the design and use of Kawneer products, such as glazed entrance, window, and curtain wall products, vary widely. Kawneer does not control the selection of product configurations, operating hardware, or glazing materials, and assumes no responsibility therefor.

Kawneer reserves the right to change configuration without prior notice when deemed necessary for product improvement.
© 2024, Kawneer Company, Inc.



1-5/16" INFILL (PRE GLAZED - WET GLAZED)



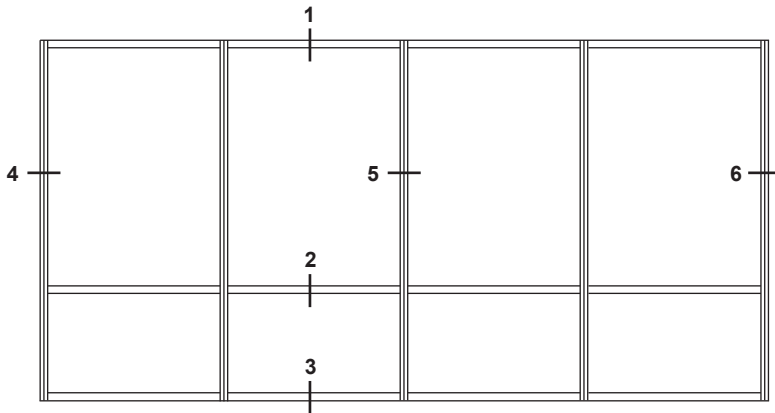
Laws and building and safety codes governing the design and use of Kawneer products, such as glazed entrance, window, and curtain wall products, vary widely. Kawneer does not control the selection of product configurations, operating hardware, or glazing materials, and assumes no responsibility therefor.

Kawneer reserves the right to change configuration without prior notice when deemed necessary for product improvement.
© 2024, Kawneer Company, Inc.

* **INSTALLER NOTE:** Installer is responsible for all required compatibility review and approvals with the Structural Silicone, Structural Glazing Tape, and Insulating Glass Unit Manufacturers.



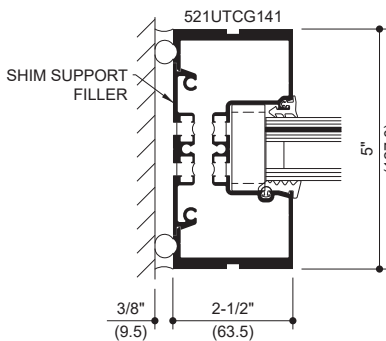
Additional information and CAD details are available at www.kawneer.com



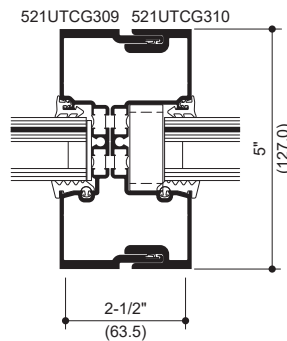
ELEVATION IS NUMBER KEYED TO DETAILS



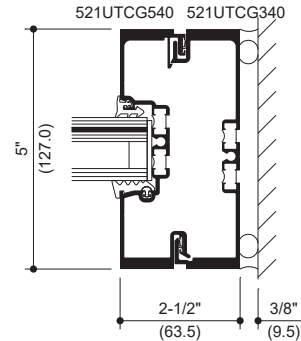
IR 521UT Double IsoLock®
THERMAL BREAK



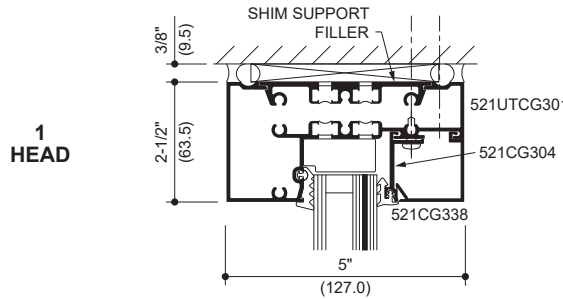
4
FIRST BAY JAMB



5
VERTICAL MULLION

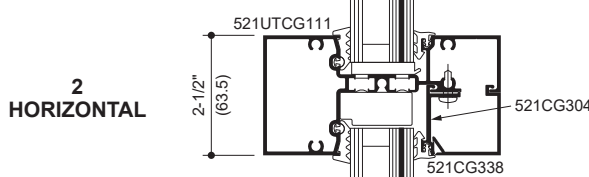


6
LAST BAY JAMB

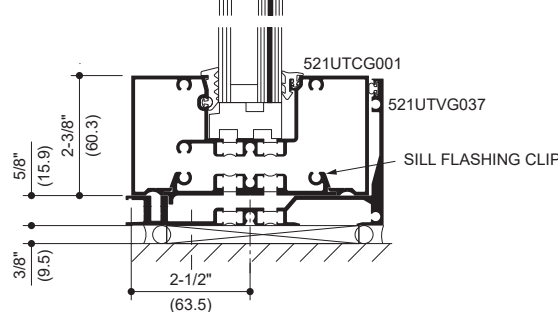


1
HEAD

1-5/16" INFILL
(PRE GLAZED - DRY GLAZED)



2
HORIZONTAL



3
SILL

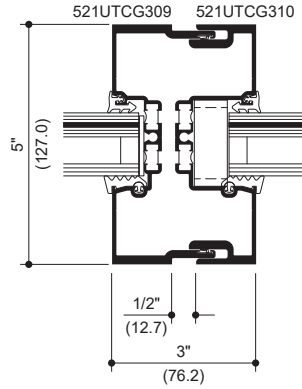
Laws and building and safety codes governing the design and use of Kawneer products, such as glazed entrance, window, and curtain wall products, vary widely. Kawneer does not control the selection of product configurations, operating hardware, or glazing materials, and assumes no responsibility therefor.

Kawneer reserves the right to change configuration without prior notice when deemed necessary for product improvement.
© 2024, Kawneer Company, Inc.

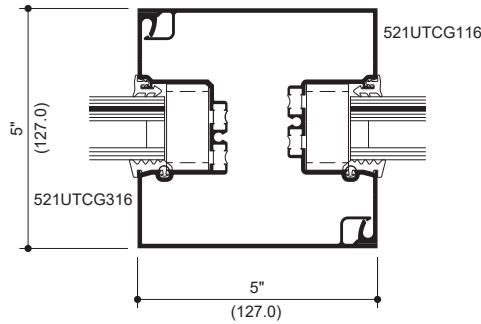


Additional information and CAD details are available at www.kawneer.com

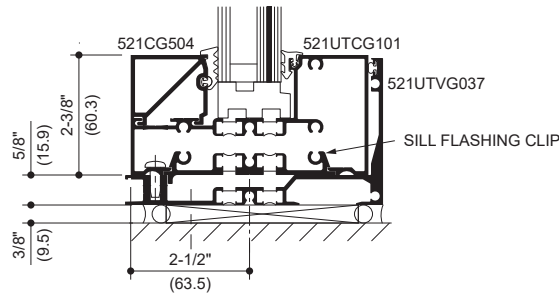
1-5/16" INFILL (PRE GLAZED - DRY GLAZED)



EXPANSION MULLION



5" x 5" MULLION



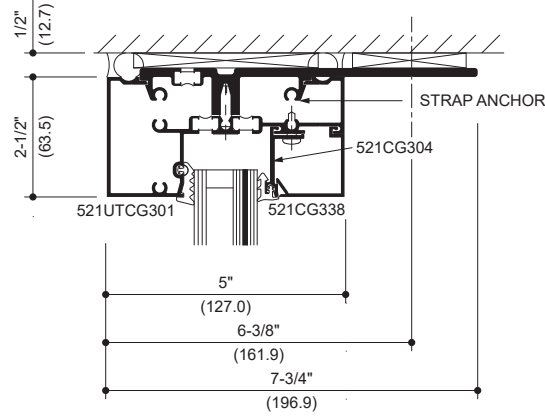
PINNED HORIZONTAL TO SILL FLASHING

Laws and building and safety codes governing the design and use of Kawneer products, such as glazed entrance, window, and curtain wall products, vary widely. Kawneer does not control the selection of product configurations, operating hardware, or glazing materials, and assumes no responsibility therefor.

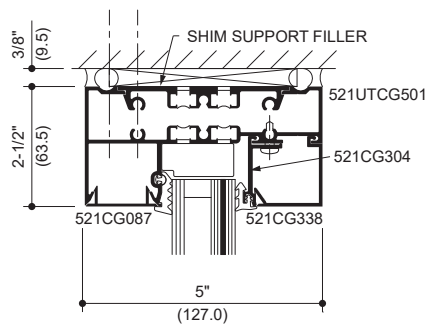
Kawneer reserves the right to change configuration without prior notice when deemed necessary for product improvement.
© 2024, Kawneer Company, Inc.

Additional information and CAD details are available at www.kawneer.com

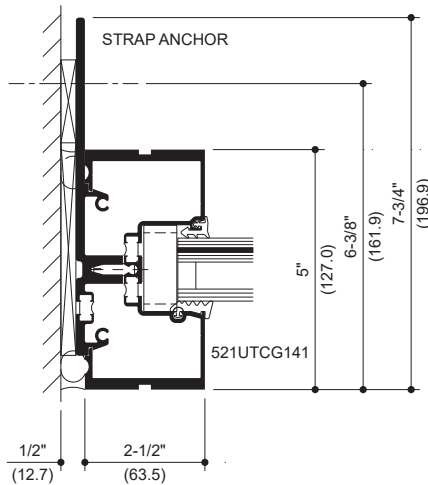
1-5/16" INFILL (PRE GLAZED - DRY GLAZED)



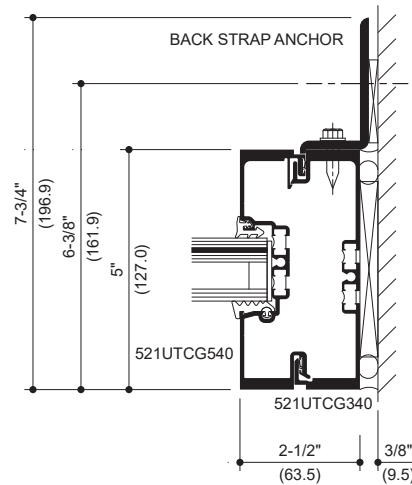
HEAD



OPTIONAL HEAD WITH STOP



FIRST BAY JAMB



LAST BAY JAMB

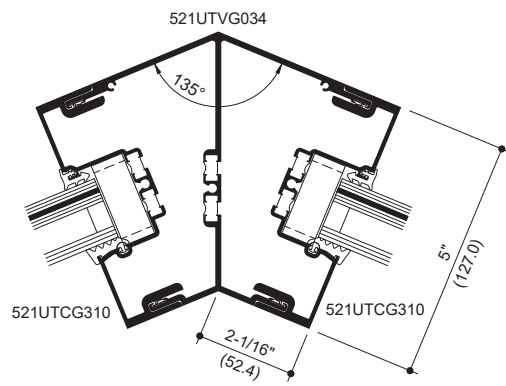
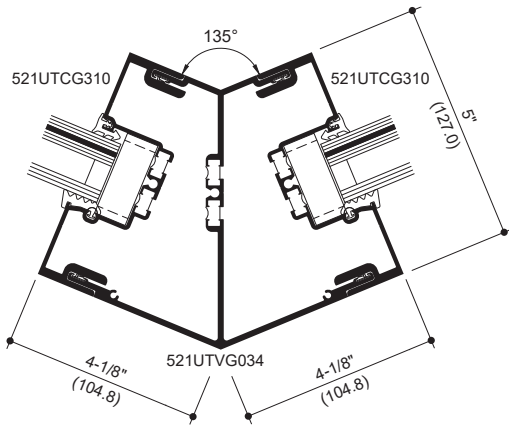
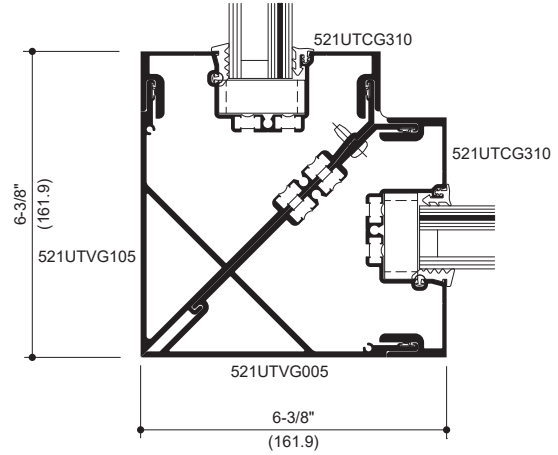
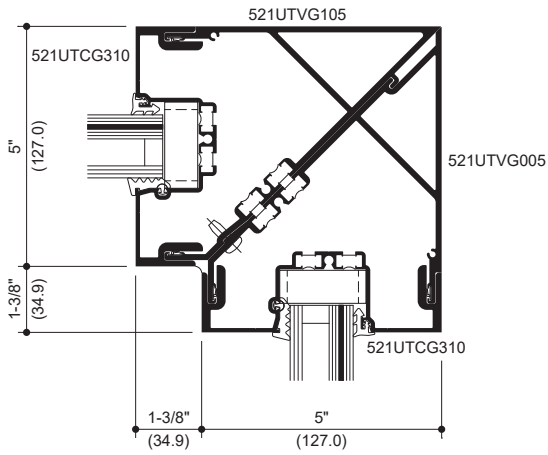
Laws and building and safety codes governing the design and use of Kawneer products, such as glazed entrance, window, and curtain wall products, vary widely. Kawneer does not control the selection of product configurations, operating hardware, or glazing materials, and assumes no responsibility therefor.

Kawneer reserves the right to change configuration without prior notice when deemed necessary for product improvement.
© 2024, Kawneer Company, Inc.



Additional information and CAD details are available at www.kawneer.com

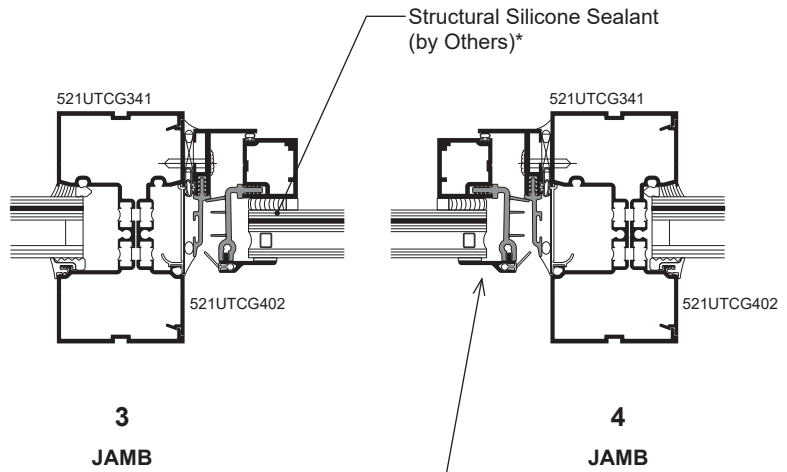
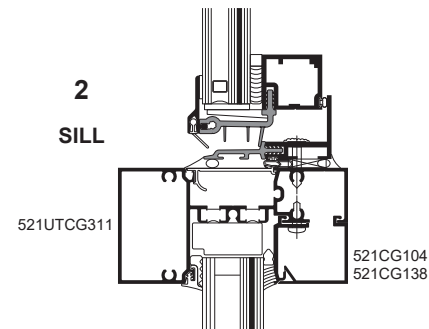
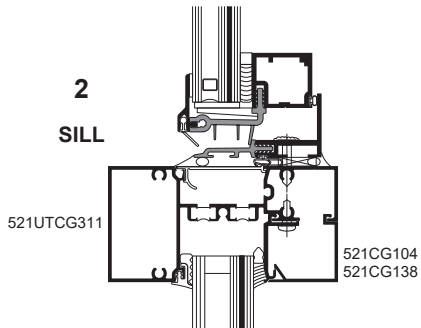
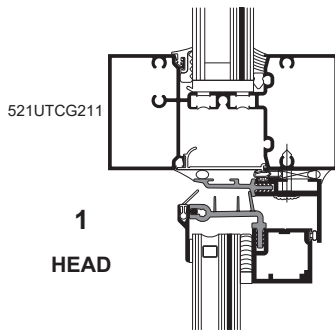
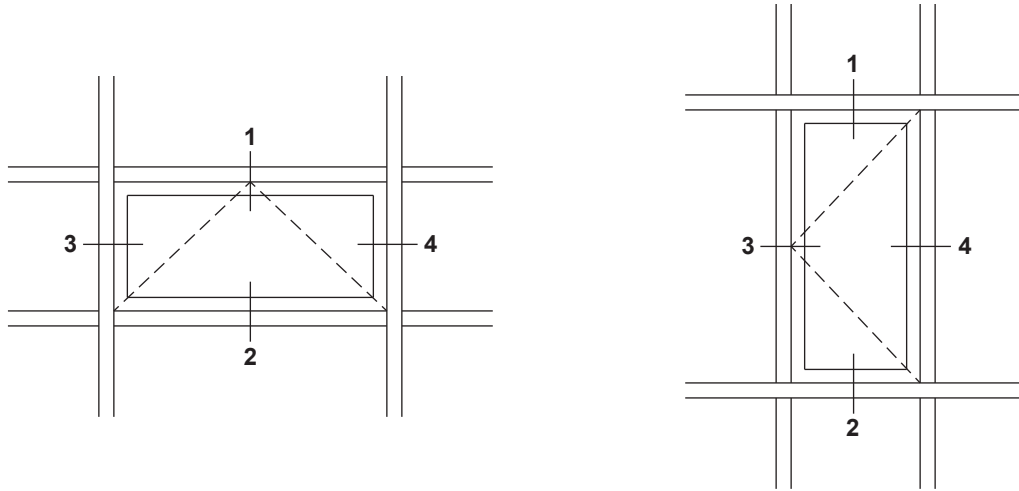
1-5/16" INFILL (PRE GLAZED - DRY GLAZED)



Laws and building and safety codes governing the design and use of Kawneer products, such as glazed entrance, window, and curtain wall products, vary widely. Kawneer does not control the selection of product configurations, operating hardware, or glazing materials, and assumes no responsibility therefor.

Kawneer reserves the right to change configuration without prior notice when deemed necessary for product improvement.
© 2024, Kawneer Company, Inc.

1-5/16" INFILL (PRE GLAZED - DRY GLAZED)



Trim Cover available in #29 Black anodized finish only

* **INSTALLER NOTE:** Installer is responsible for all required compatibility review and approvals with the Structural Silicone, Structural Glazing Tape, and Insulating Glass Unit Manufacturers.

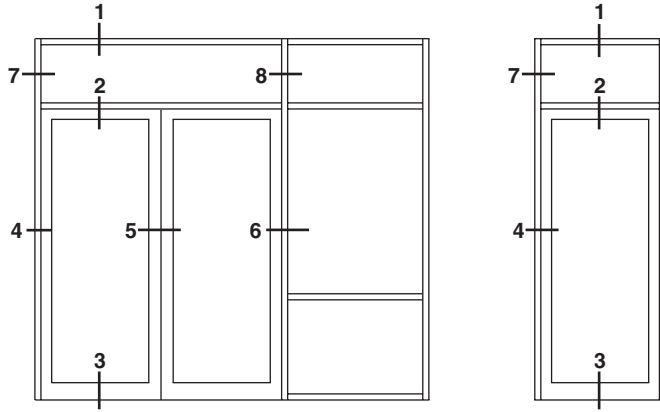
Laws and building and safety codes governing the design and use of Kawneer products, such as glazed entrance, window, and curtain wall products, vary widely. Kawneer does not control the selection of product configurations, operating hardware, or glazing materials, and assumes no responsibility therefor.

Kawneer reserves the right to change configuration without prior notice when deemed necessary for product improvement.
© 2024, Kawneer Company, Inc.

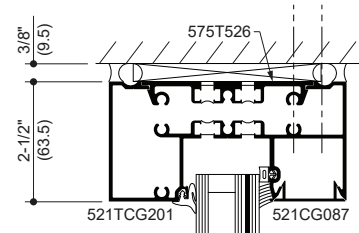


Additional information and CAD details are available at www.kawneer.com

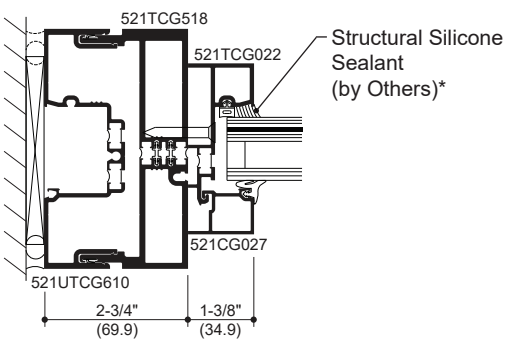
IR 521UT FRAMING INCORPORATING KAWNEER 350T INSULPOUR® DOORS.
SEE 250T/350T/500T INSULPOUR® ENTRANCES FOR ADDITIONAL DOOR AND ENTRANCE FRAMING OPTIONS.



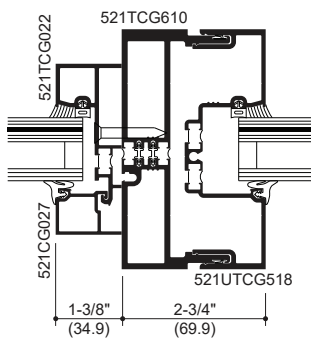
ELEVATION IS NUMBER KEYED TO DETAILS



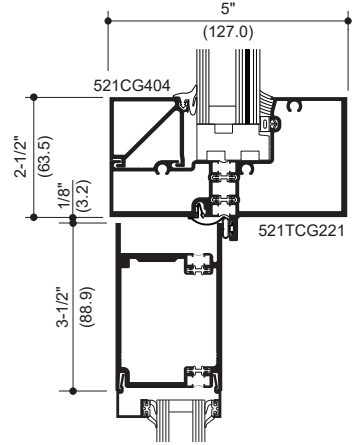
1
TRANSOM HEAD



7
DOOR JAMB
AT TRANSOM

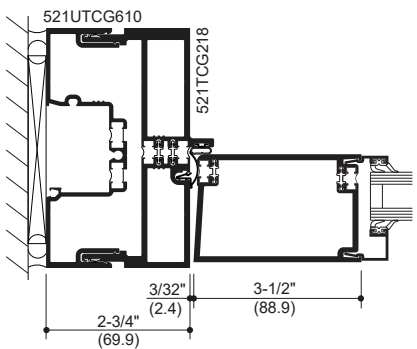


8
DOOR JAMB
AT TRANSOM

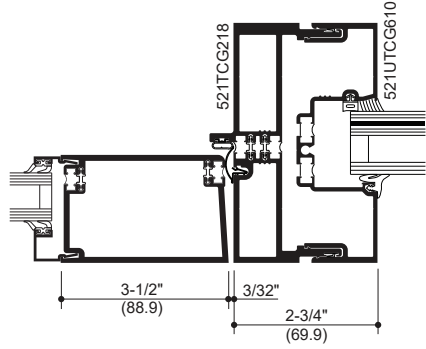


2
DOOR WITH TRANSOM

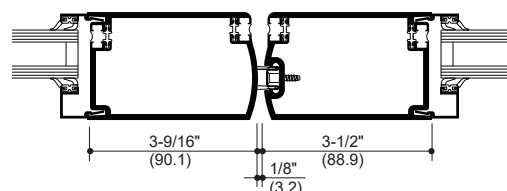
Transom for C.O.C. also available



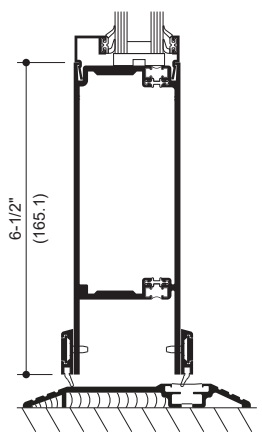
4
DOOR JAMB



6
DOOR JAMB



5
PAIR OF DOORS



3
THRESHOLD

* INSTALLER NOTE: Installer is responsible for all required compatibility review and approvals with the Structural Silicone Manufacturer and the Insulating Glass Unit Manufacturer.

Laws and building and safety codes governing the design and use of Kawneer products, such as glazed entrance, window, and curtain wall products, vary widely. Kawneer does not control the selection of product configurations, operating hardware, or glazing materials, and assumes no responsibility therefor.

 Kawneer reserves the right to change configuration without prior notice when deemed necessary for product improvement.
 © 2024, Kawneer Company, Inc.



Laws and building and safety codes governing the design and use of Kawneer products, such as glazed entrance, window, and curtain wall products, vary widely. Kawneer does not control the selection of product configurations, operating hardware, or glazing materials, and assumes no responsibility therefor.

Kawneer reserves the right to change configuration without prior notice when deemed necessary for product improvement.
© 2024, Kawneer Company, Inc.



WIND LOAD CHARTS

Mullions are designed for deflection limitations in accordance with AAMA TIR-A11 of L/175 up to 13' 6" and L/240 +1/4" above 13' 6". These curves are for mullions WITH HORIZONTALS and are based on engineering calculations for stress and deflection. Allowable wind load stress for ALUMINUM 15,152 psi (104MPa), STEEL 30,000 psi (207MPa). Charted curves, in all cases are for the limiting value. Wind load charts contained herein are based upon nominal wind load utilized in allowable stress design. A conversion from Load Resistance Factor Design (LRFD) is provided. To convert ultimate wind loads to nominal loads, multiply ultimate wind loads by a factor of 0.6 per ASCE/SEI 7. A 4/3 increase in allowable stress has not been used to develop these curves. For special situations not covered by these curves, contact your Kawneer representative for additional information.

DEADLOAD CHARTS

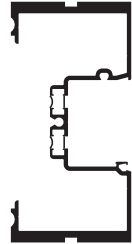
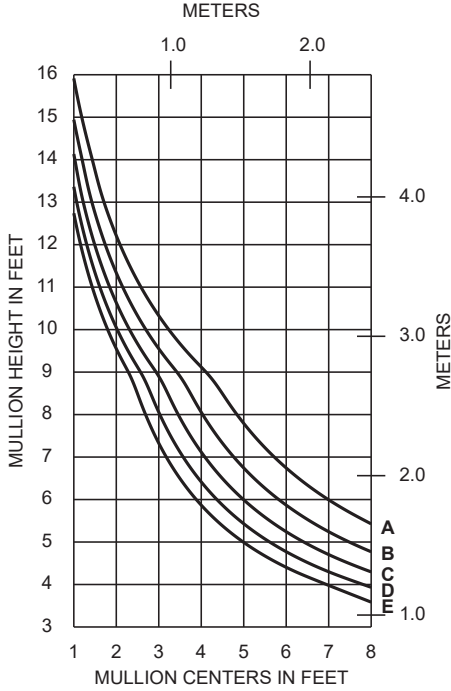
Horizontal or deadload limitations are based upon 1/8" (3.2), maximum allowable deflection at the center of an intermediate horizontal member. The accompanying charts are calculated for 1-5/16" (33.3) thick insulated impact resistant glass supported on two setting blocks placed at the loading points shown.

Laws and building and safety codes governing the design and use of Kawneer products, such as glazed entrance, window, and curtain wall products, vary widely. Kawneer does not control the selection of product configurations, operating hardware, or glazing materials, and assumes no responsibility therefor.

Kawneer reserves the right to change configuration without prior notice when deemed necessary for product improvement.
© 2024, Kawneer Company, Inc.

	Allowable Stress Design Load	LRFD Ultimate Design Load
A =	50 PSF (2400)	83 PSF (4000)
B =	60 PSF (2880)	100 PSF (4790)
C =	70 PSF (3360)	117 PSF (5600)
D =	80 PSF (3830)	133 PSF (6380)
E =	90 PSF (4310)	150 PSF (7200)

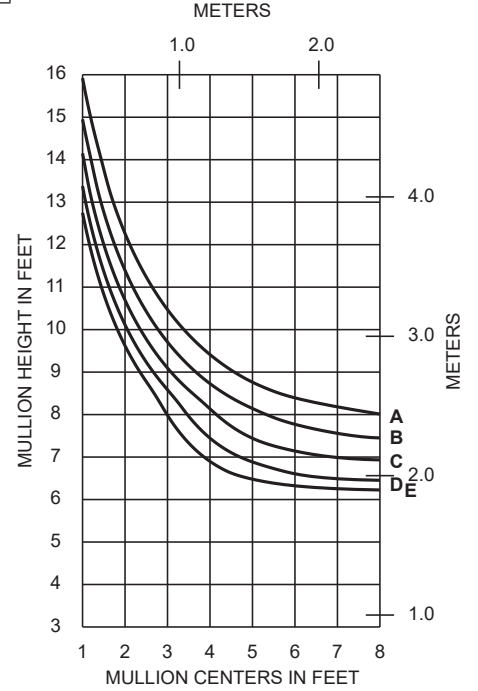
521UTCG141 WITH HORIZONTALS



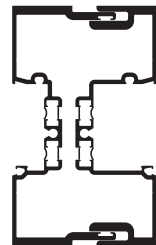
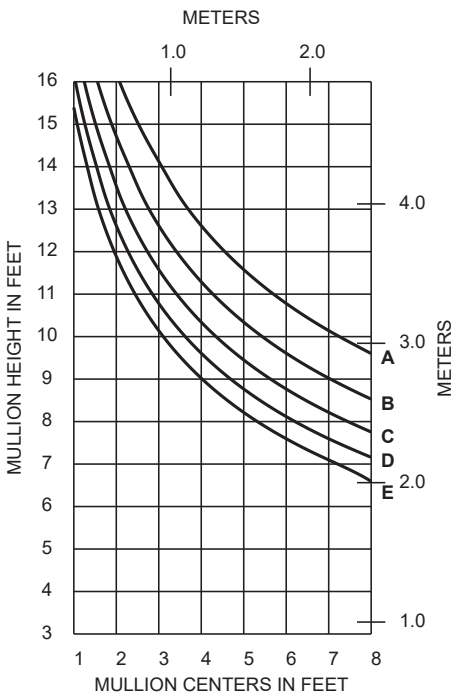
521UTCG141

WIND LOAD CHARTS ARE BASED ON COMPOSITE PROPERTIES WHICH ARE CALCULATED IN ACCORDANCE WITH AAMA TIR-8 AND AAMA 505

521UTCG141 WITHOUT HORIZONTALS



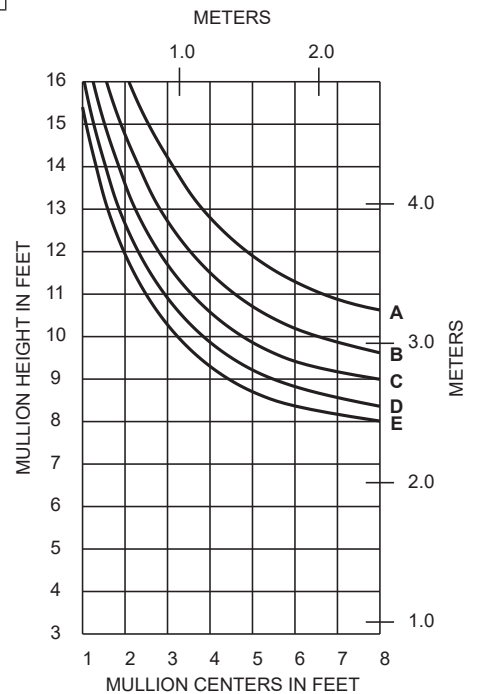
521UTCG309 & 521UTCG310 WITH HORIZONTALS



521UTCG309 / 521UTCG310

WIND LOAD CHARTS ARE BASED ON COMPOSITE PROPERTIES WHICH ARE CALCULATED IN ACCORDANCE WITH AAMA TIR-8 AND AAMA 505

521UTCG309 & 521UTCG310 WITHOUT HORIZONTALS



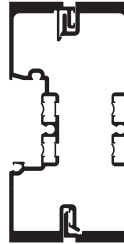
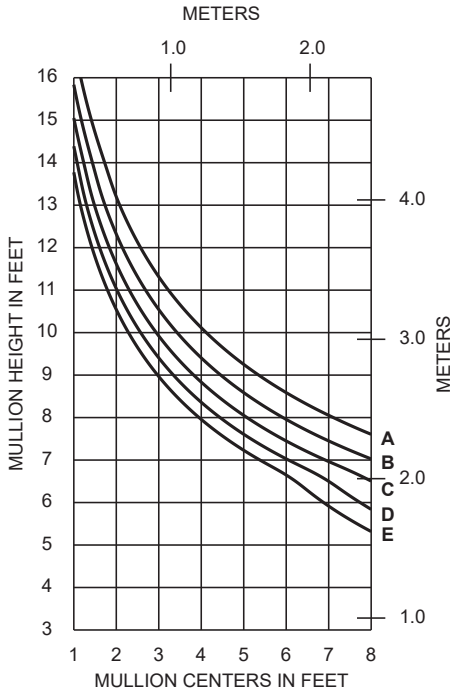
Laws and building and safety codes governing the design and use of Kawneer products, such as glazed entrance, window, and curtain wall products, vary widely. Kawneer does not control the selection of product configurations, operating hardware, or glazing materials, and assumes no responsibility therefor.

Kawneer reserves the right to change configuration without prior notice when deemed necessary for product improvement.
© 2024, Kawneer Company, Inc.



	Allowable Stress Design Load	LRFD Ultimate Design Load
A =	50 PSF (2400)	83 PSF (4000)
B =	60 PSF (2880)	100 PSF (4790)
C =	70 PSF (3360)	117 PSF (5600)
D =	80 PSF (3830)	133 PSF (6380)
E =	90 PSF (4310)	150 PSF (7200)

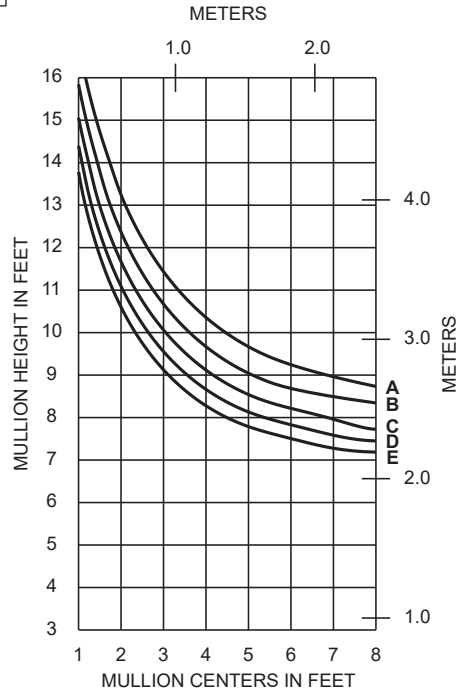
521UTCG240 & 521UTCG340 WITH HORIZONTALS



521UTCG240 / 521UTCG340

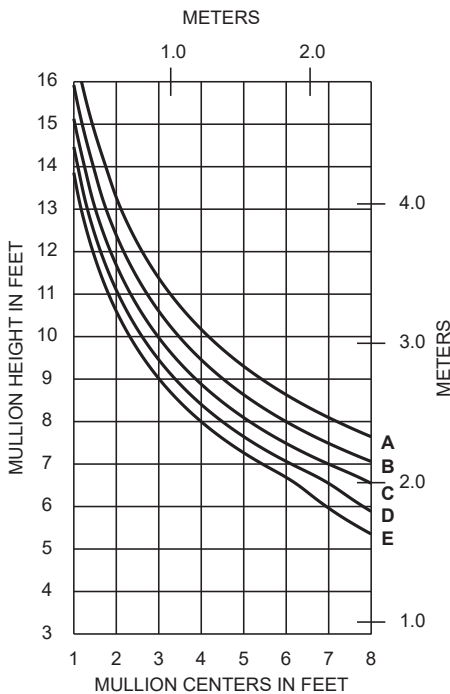
WIND LOAD CHARTS ARE BASED ON COMPOSITE PROPERTIES WHICH ARE CALCULATED IN ACCORDANCE WITH AAMA TIR-8 AND AAMA 505

521UTCG240 & 521UTCG340 WITHOUT HORIZONTALS



	Allowable Stress Design Load	LRFD Ultimate Design Load
A =	50 PSF (2400)	83 PSF (4000)
B =	60 PSF (2880)	100 PSF (4790)
C =	70 PSF (3360)	117 PSF (5600)
D =	80 PSF (3830)	133 PSF (6380)
E =	90 PSF (4310)	150 PSF (7200)

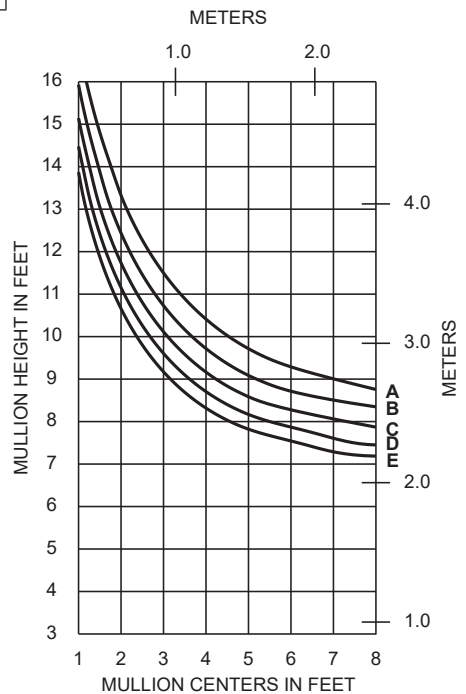
521UTCG540 & 521UTCG340 WITH HORIZONTALS



521UTCG540 / 521UTCG340

WIND LOAD CHARTS ARE BASED ON COMPOSITE PROPERTIES WHICH ARE CALCULATED IN ACCORDANCE WITH AAMA TIR-8 AND AAMA 505

521UTCG540 & 521UTCG340 WITHOUT HORIZONTALS

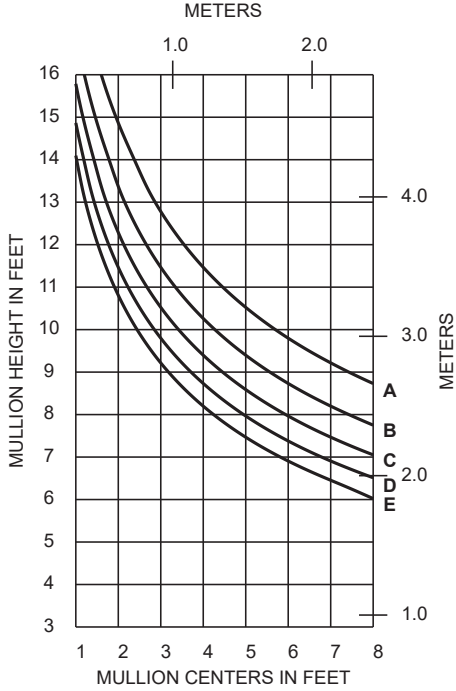


Laws and building and safety codes governing the design and use of Kawneer products, such as glazed entrance, window, and curtain wall products, vary widely. Kawneer does not control the selection of product configurations, operating hardware, or glazing materials, and assumes no responsibility therefor.

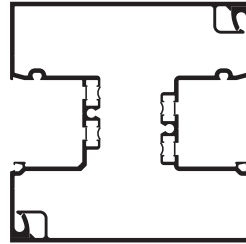
Kawneer reserves the right to change configuration without prior notice when deemed necessary for product improvement.
© 2024, Kawneer Company, Inc.



521UTCG316 & 521UTCG116 WITH HORIZONTALS



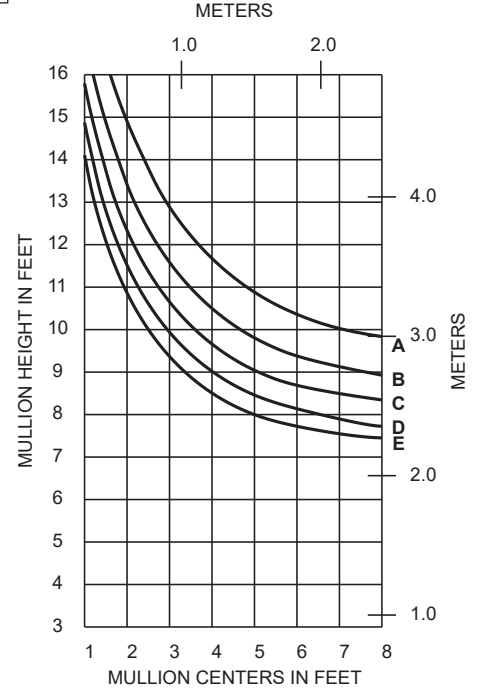
	Allowable Stress Design Load	LRFD Ultimate Design Load
A =	30 PSF (1440)	50 PSF (2400)
B =	40 PSF (1920)	67 PSF (3200)
C =	50 PSF (2400)	83 PSF (4000)
D =	60 PSF (2880)	100 PSF (4790)
E =	70 PSF (3360)	117 PSF (5600)



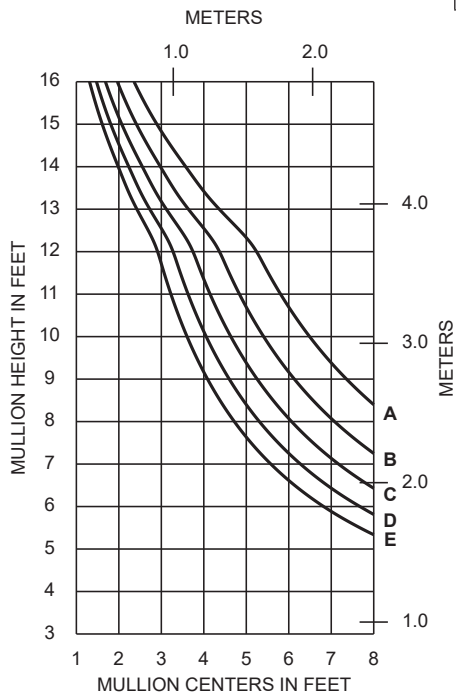
521UTCG316 / 521UTCG116

WIND LOAD CHARTS ARE BASED ON COMPOSITE PROPERTIES WHICH ARE CALCULATED IN ACCORDANCE WITH AAMA TIR-8 AND AAMA 505

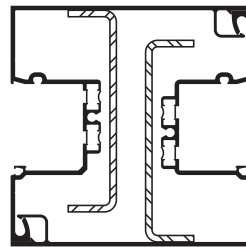
521UTCG316 & 521UTCG116 WITHOUT HORIZONTALS



521UTCG316 & 521UTCG116 WITH STEEL WITH HORIZONTALS



	Allowable Stress Design Load	LRFD Ultimate Design Load
A =	50 PSF (2400)	83 PSF (4000)
B =	60 PSF (2880)	100 PSF (4790)
C =	70 PSF (3360)	117 PSF (5600)
D =	80 PSF (3830)	133 PSF (6380)
E =	90 PSF (4310)	150 PSF (7200)



521UTCG316 / 521UTCG116 WITH 575300 STEEL

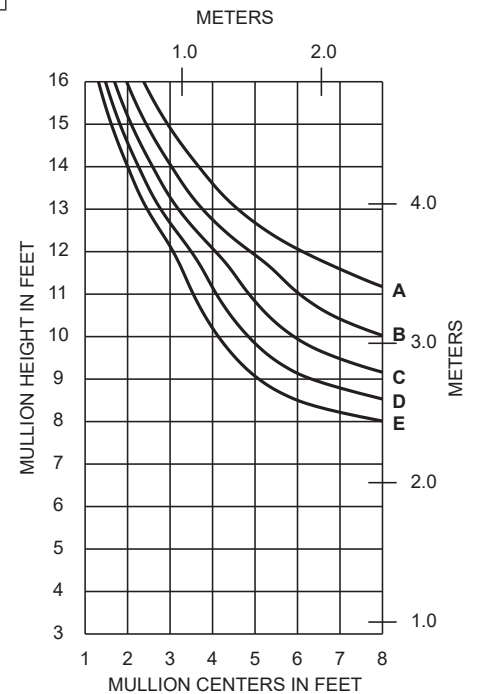
575300 STEEL

I_{xx} 1.664 (80.54 x 10⁴)

S_{xx} 0.804 (15.37 x 10³)

WIND LOAD CHARTS ARE BASED ON COMPOSITE PROPERTIES WHICH ARE CALCULATED IN ACCORDANCE WITH AAMA TIR-8 AND AAMA 505

521UTCG316 & 521UTCG116 WITH STEEL WITHOUT HORIZONTALS



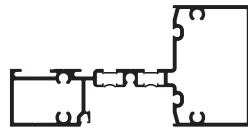
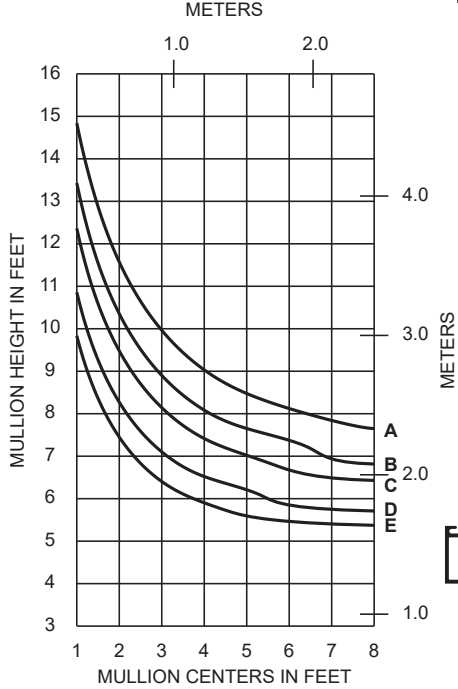
Laws and building and safety codes governing the design and use of Kawneer products, such as glazed entrance, window, and curtain wall products, vary widely. Kawneer does not control the selection of product configurations, operating hardware, or glazing materials, and assumes no responsibility therefor.

Kawneer reserves the right to change configuration without prior notice when deemed necessary for product improvement.
© 2024, Kawneer Company, Inc.

 HURRICANE RESISTANT PRODUCT

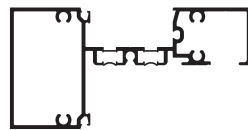
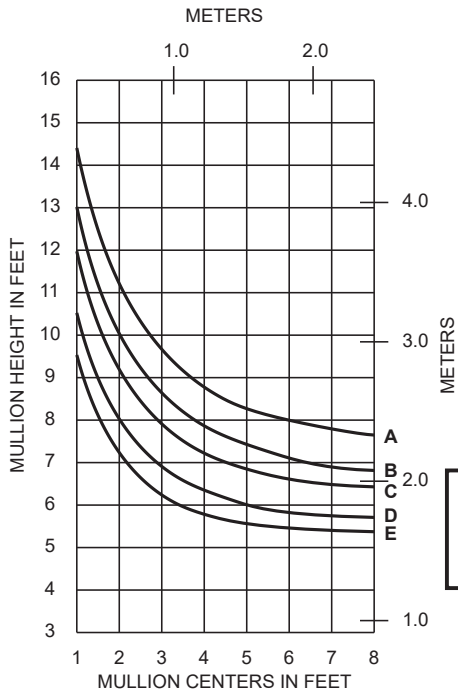
	Allowable Stress Design Load	LRFD Ultimate Design Load
A =	30 PSF (1440)	50 PSF (2400)
B =	40 PSF (1920)	67 PSF (3200)
C =	50 PSF (2400)	83 PSF (4000)
D =	70 PSF (3360)	117 PSF (5600)
E =	90 PSF (4310)	150 PSF (7200)

521UTCG011
SINGLE SPAN



521UTCG011

521UTCG311
SINGLE SPAN



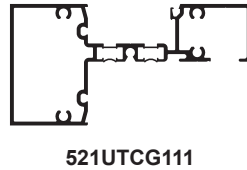
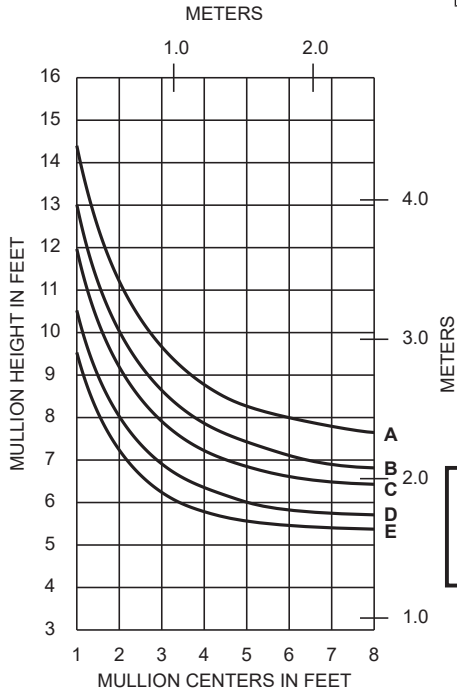
521UTCG311

Laws and building and safety codes governing the design and use of Kawneer products, such as glazed entrance, window, and curtain wall products, vary widely. Kawneer does not control the selection of product configurations, operating hardware, or glazing materials, and assumes no responsibility therefor.

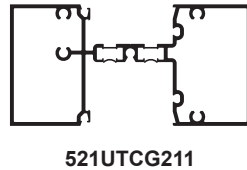
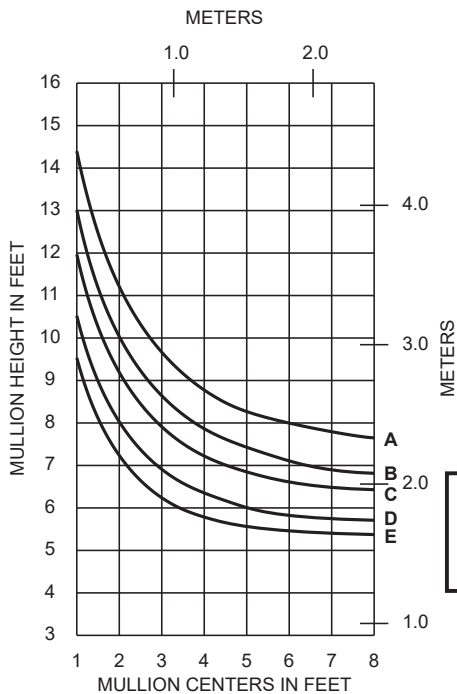
Kawneer reserves the right to change configuration without prior notice when deemed necessary for product improvement.
© 2024, Kawneer Company, Inc.

	Allowable Stress Design Load	LRFD Ultimate Design Load
A =	30 PSF (1440)	50 PSF (2400)
B =	40 PSF (1920)	67 PSF (3200)
C =	50 PSF (2400)	83 PSF (4000)
D =	70 PSF (3360)	117 PSF (5600)
E =	90 PSF (4310)	150 PSF (7200)

521UTCG111 SINGLE SPAN



521UTCG211 SINGLE SPAN



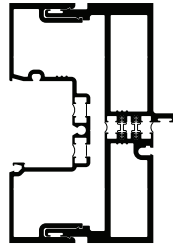
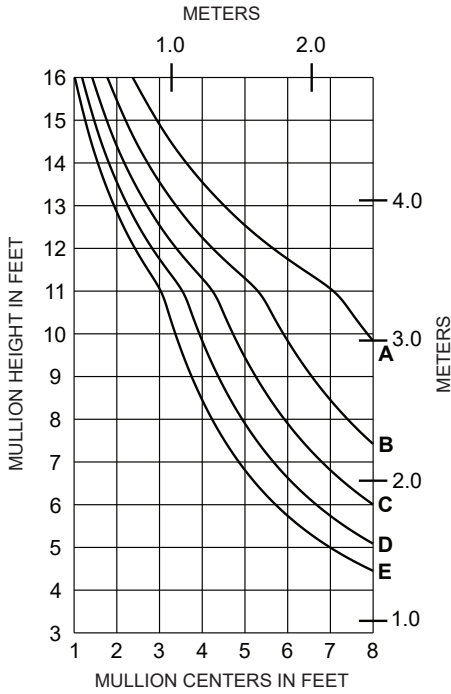
Laws and building and safety codes governing the design and use of Kawneer products, such as glazed entrance, window, and curtain wall products, vary widely. Kawneer does not control the selection of product configurations, operating hardware, or glazing materials, and assumes no responsibility therefor.

Kawneer reserves the right to change configuration without prior notice when deemed necessary for product improvement.
© 2024, Kawneer Company, Inc.



	Allowable Stress Design Load	LRFD Ultimate Design Load
A =	50 PSF (2400)	83 PSF (4000)
B =	60 PSF (2880)	100 PSF (4790)
C =	70 PSF (3360)	117 PSF (5600)
D =	80 PSF (3830)	133 PSF (6380)
E =	90 PSF (4310)	150 PSF (7200)

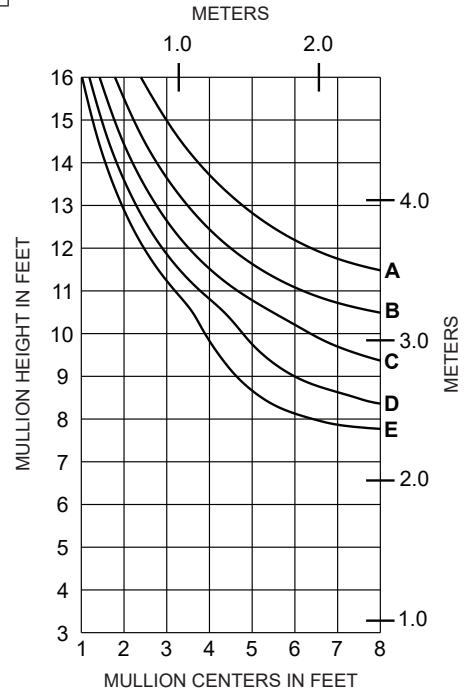
WITH HORIZONTALS



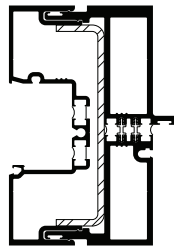
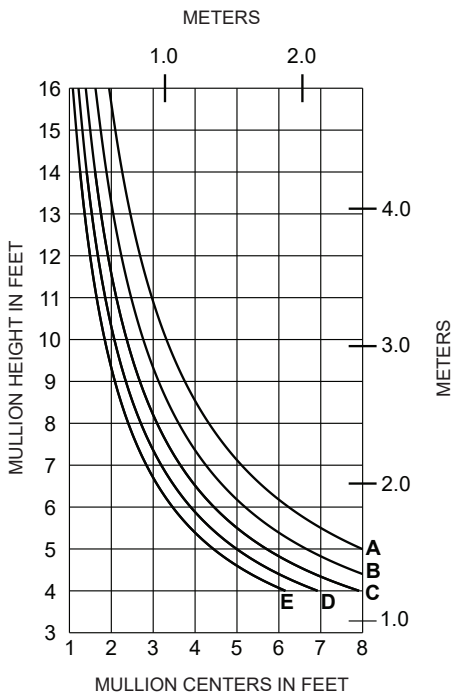
521UTCG610 / 521UTCG218

WIND LOAD CHARTS ARE BASED ON COMPOSITE PROPERTIES WHICH ARE CALCULATED IN ACCORDANCE WITH AAMA TIR-8 AND AAMA 505

WITHOUT HORIZONTALS



WITH HORIZONTALS

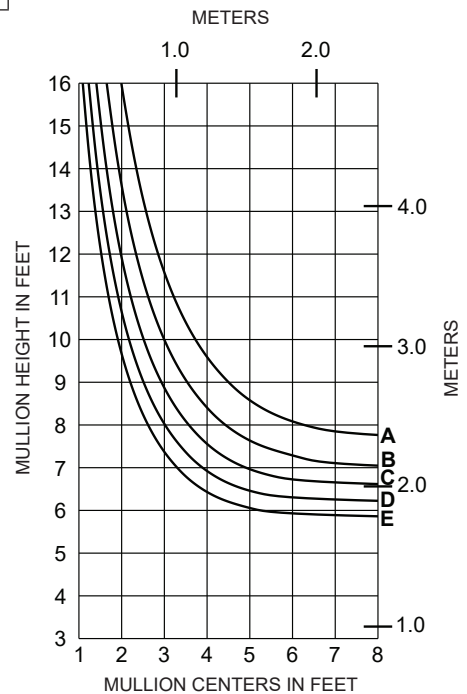


521UTCG610 / 521UTCG218 WITH 575300 STEEL

575300 STEEL
 $I_{xx} 1.664 (80.54 \times 10^4)$
 $S_{xx} 0.804 (15.37 \times 10^3)$

WIND LOAD CHARTS ARE BASED ON COMPOSITE PROPERTIES WHICH ARE CALCULATED IN ACCORDANCE WITH AAMA TIR-8 AND AAMA 505

WITHOUT HORIZONTALS

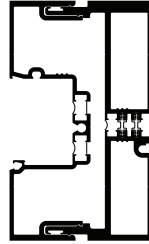
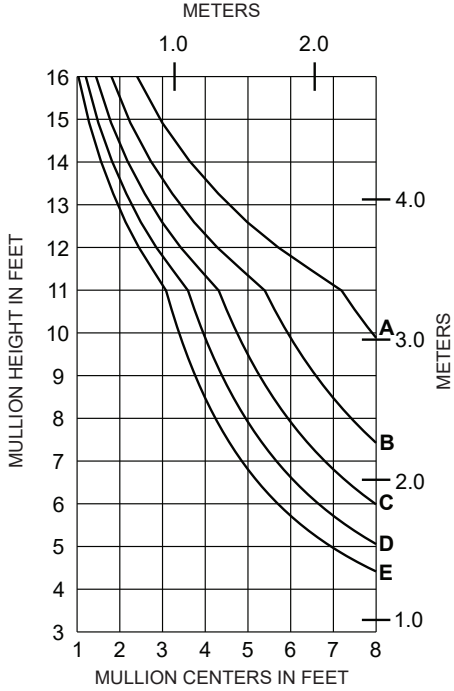


Laws and building and safety codes governing the design and use of Kawneer products, such as glazed entrance, window, and curtain wall products, vary widely. Kawneer does not control the selection of product configurations, operating hardware, or glazing materials, and assumes no responsibility therefor.

Kawneer reserves the right to change configuration without prior notice when deemed necessary for product improvement.
 © 2024, Kawneer Company, Inc.

	Allowable Stress Design Load	LRFD Ultimate Design Load
A =	50 PSF (2400)	83 PSF (4000)
B =	60 PSF (2880)	100 PSF (4790)
C =	70 PSF (3360)	117 PSF (5600)
D =	80 PSF (3830)	133 PSF (6380)
E =	90 PSF (4310)	150 PSF (7200)

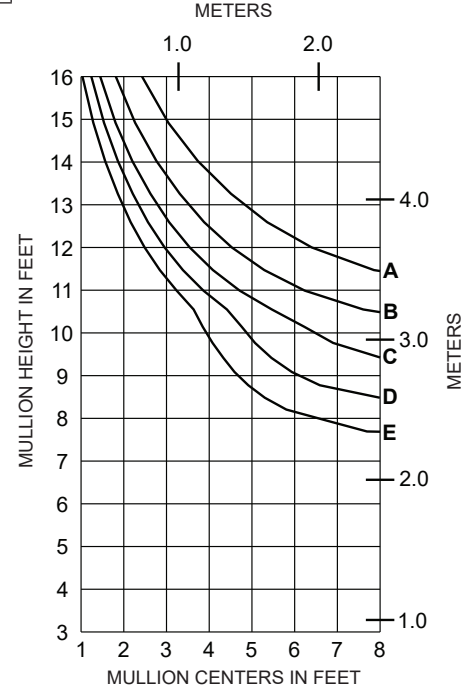
WITH HORIZONTALS



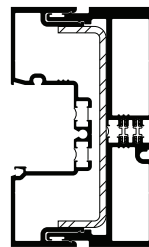
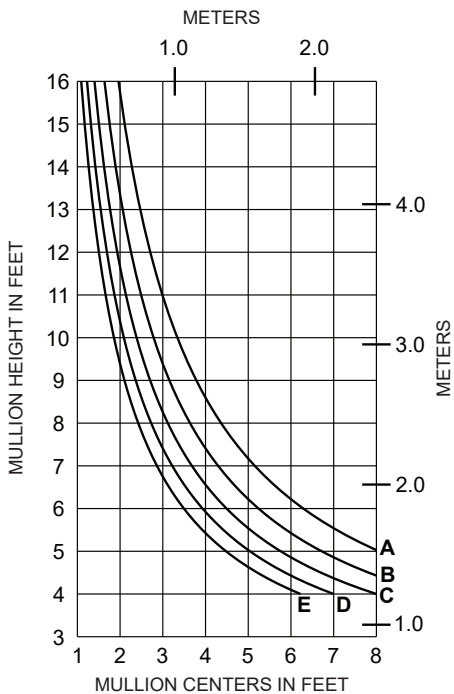
521UTCG610 / 521UTCG518

WIND LOAD CHARTS ARE BASED ON COMPOSITE PROPERTIES WHICH ARE CALCULATED IN ACCORDANCE WITH AAMA TIR-8 AND AAMA 505

WITHOUT HORIZONTALS



WITH HORIZONTALS

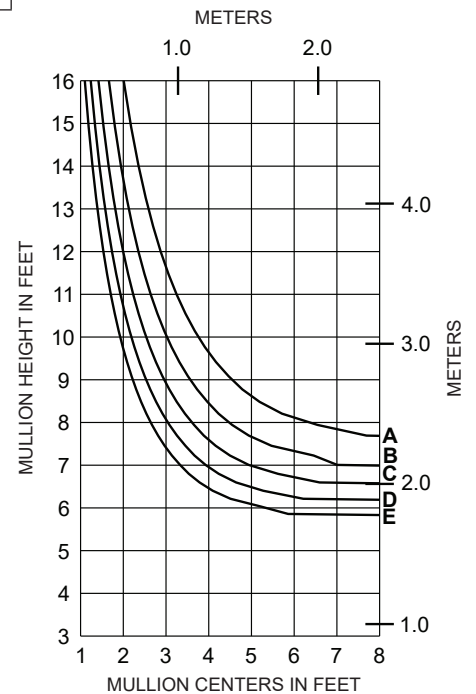


521UTCG610 / 521UTCG518 WITH 575300 STEEL

575300 STEEL
 $I_{xx} 1.664 (80.54 \times 10^4)$
 $S_{xx} 0.804 (15.37 \times 10^3)$

WIND LOAD CHARTS ARE BASED ON COMPOSITE PROPERTIES WHICH ARE CALCULATED IN ACCORDANCE WITH AAMA TIR-8 AND AAMA 505

WITHOUT HORIZONTALS



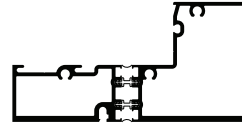
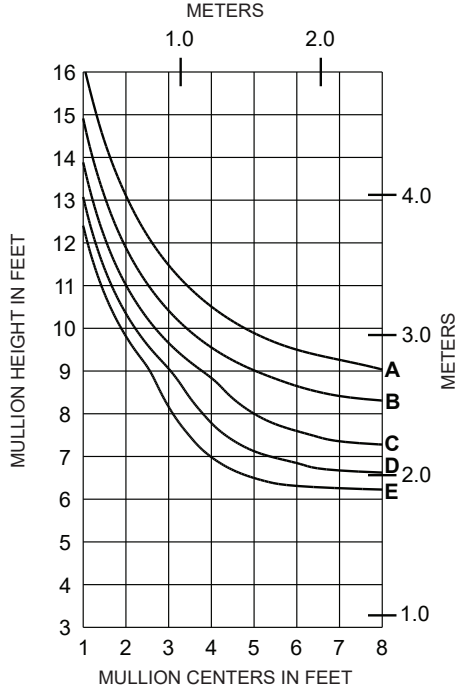
Laws and building and safety codes governing the design and use of Kawneer products, such as glazed entrance, window, and curtain wall products, vary widely. Kawneer does not control the selection of product configurations, operating hardware, or glazing materials, and assumes no responsibility therefor.

Kawneer reserves the right to change configuration without prior notice when deemed necessary for product improvement.
 © 2024, Kawneer Company, Inc.

 HURRICANE RESISTANT PRODUCT

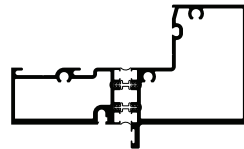
	Allowable Stress Design Load	LRFD Ultimate Design Load
A =	30 PSF (1440)	50 PSF (2400)
B =	40 PSF (1920)	67 PSF (3200)
C =	50 PSF (2400)	83 PSF (4000)
D =	60 PSF (2880)	100 PSF (4790)
E =	70 PSF (3360)	117 PSF (5600)

**521TCG221
SINGLE SPAN**



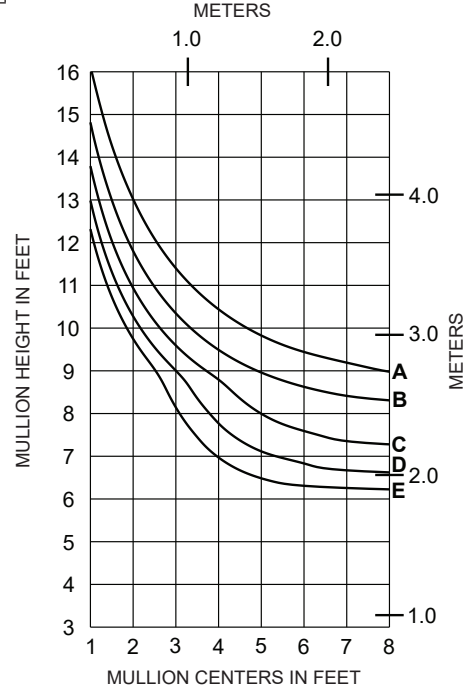
**521TCG521
(IR 521T)**

WIND LOAD CHARTS ARE BASED ON COMPOSITE PROPERTIES WHICH ARE CALCULATED IN ACCORDANCE WITH AAMA TIR-8 AND AAMA 505

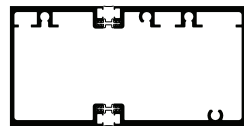
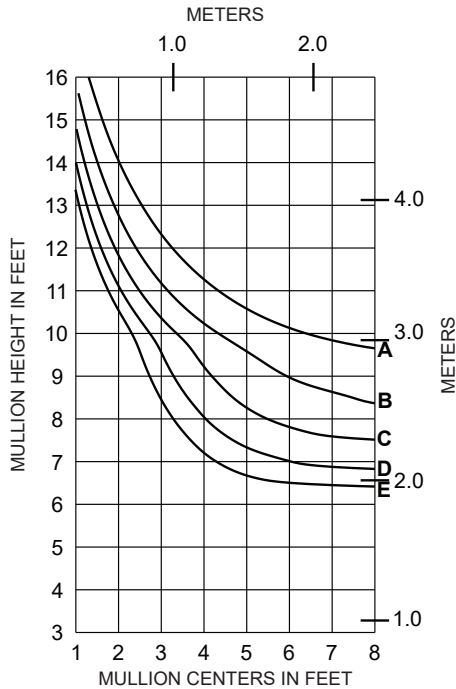


**521TCG221
(IR 521T)**

**521TCG521
SINGLE SPAN**



**521TCG079
SINGLE SPAN**



**521TCG079
(IR 521T)**

WIND LOAD CHARTS ARE BASED ON COMPOSITE PROPERTIES WHICH ARE CALCULATED IN ACCORDANCE WITH AAMA TIR-8 AND AAMA 505

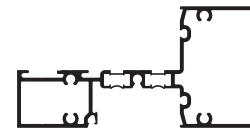
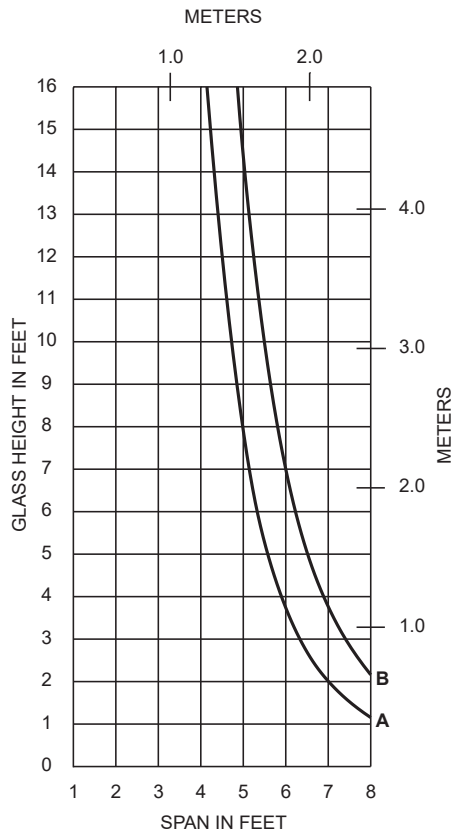
Laws and building and safety codes governing the design and use of Kawneer products, such as glazed entrance, window, and curtain wall products, vary widely. Kawneer does not control the selection of product configurations, operating hardware, or glazing materials, and assumes no responsibility therefor.

Kawneer reserves the right to change configuration without prior notice when deemed necessary for product improvement.
© 2024, Kawneer Company, Inc.

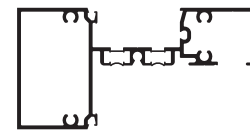


Horizontal or deadload limitations are based upon 1/8" (3.2), maximum allowable deflection at the center of an intermediate horizontal member. The accompanying charts are calculated for 1-5/16" (33.3) thick insulated impact resistant glass supported on two setting blocks placed at the loading points shown.

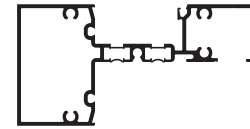
A = (1/4 POINT LOADING)
B = (1/8 POINT LOADING)



521UTCG011



521UTCG311



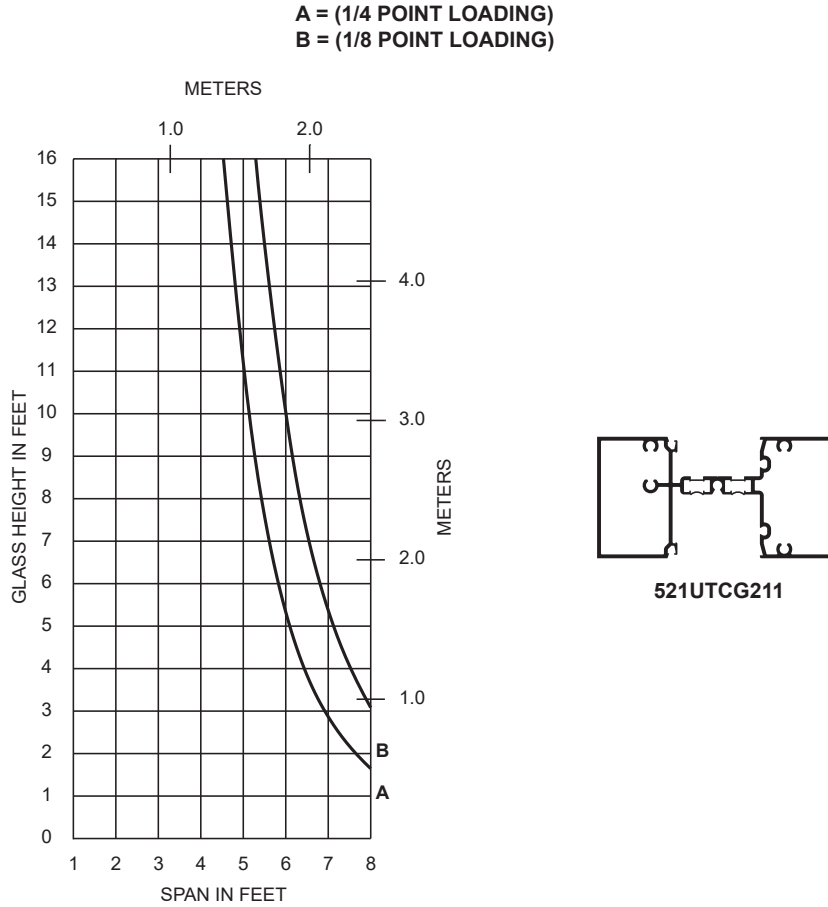
521UTCG111

Laws and building and safety codes governing the design and use of Kawneer products, such as glazed entrance, window, and curtain wall products, vary widely. Kawneer does not control the selection of product configurations, operating hardware, or glazing materials, and assumes no responsibility therefor.

Kawneer reserves the right to change configuration without prior notice when deemed necessary for product improvement.
© 2024, Kawneer Company, Inc.

HURRICANE RESISTANT PRODUCT

Horizontal or deadload limitations are based upon 1/8" (3.2), maximum allowable deflection at the center of an intermediate horizontal member. The accompanying charts are calculated for 1-5/16" (33.3) thick insulated impact resistant glass supported on two setting blocks placed at the loading points shown.



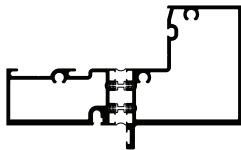
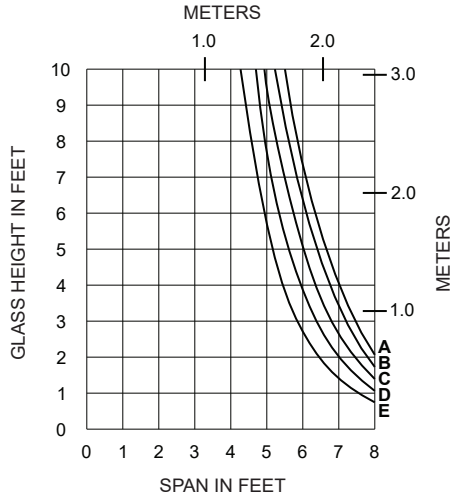
Laws and building and safety codes governing the design and use of Kawneer products, such as glazed entrance, window, and curtain wall products, vary widely. Kawneer does not control the selection of product configurations, operating hardware, or glazing materials, and assumes no responsibility therefor.

Kawneer reserves the right to change configuration without prior notice when deemed necessary for product improvement.
© 2024, Kawneer Company, Inc.

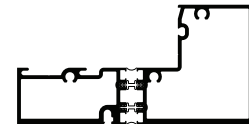
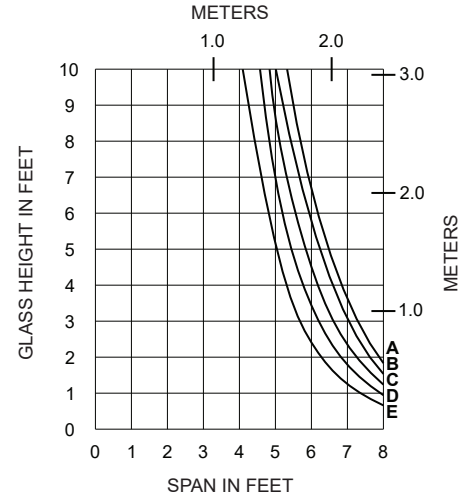


Horizontal or deadload limitations are based upon 1/16" (1.6), maximum allowable deflection at the center of an intermediate horizontal member. The accompanying charts are calculated for 1-5/16" (33.3) thick insulated impact resistant glass supported on two setting blocks placed at the loading points shown.

- A = (1/4 POINT LOADING)
- B = (1/6 POINT LOADING)
- C = (1/8 POINT LOADING)
- D = (1/10 POINT LOADING)
- E = (1/12 POINT LOADING)



521TCG221 (IR 521T)



521TCG521 (IR 521T)

SETTING BLOCK LOCATIONS EXAMPLE (96" DLO)		
CURVE DESIGNATION	OFFSET	DISTANCE FROM JAMBS
A	1/4 POINT	24"
B	1/6 POINT	16"
C	1/8 POINT	12"
D	1/10 POINT	9"
E	1/12 POINT	8"

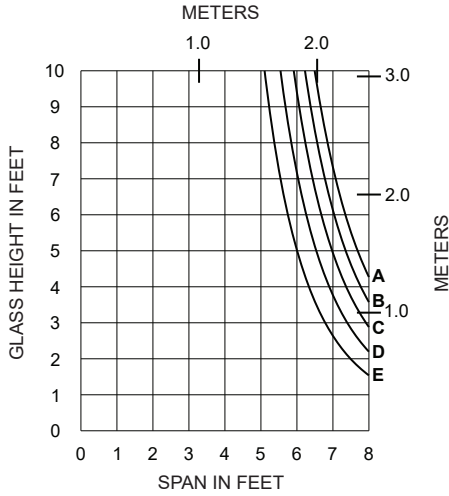
Laws and building and safety codes governing the design and use of Kawneer products, such as glazed entrance, window, and curtain wall products, vary widely. Kawneer does not control the selection of product configurations, operating hardware, or glazing materials, and assumes no responsibility therefor.

Kawneer reserves the right to change configuration without prior notice when deemed necessary for product improvement.
© 2024, Kawneer Company, Inc.



Horizontal or deadload limitations are based upon 1/16" (1.6), maximum allowable deflection at the center of an intermediate horizontal member. The accompanying charts are calculated for 1-5/16" (33.3) thick insulated impact resistant glass supported on two setting blocks placed at the loading points shown.

- A = (1/4 POINT LOADING)
- B = (1/6 POINT LOADING)
- C = (1/8 POINT LOADING)
- D = (1/10 POINT LOADING)
- E = (1/12 POINT LOADING)



521TCG079 (IR 521T)

SETTING BLOCK LOCATIONS EXAMPLE (96" DLO)		
CURVE DESIGNATION	OFFSET	DISTANCE FROM JAMBS
A	1/4 POINT	24"
B	1/6 POINT	16"
C	1/8 POINT	12"
D	1/10 POINT	9"
E	1/12 POINT	8"

Laws and building and safety codes governing the design and use of Kawneer products, such as glazed entrance, window, and curtain wall products, vary widely. Kawneer does not control the selection of product configurations, operating hardware, or glazing materials, and assumes no responsibility therefor.

Kawneer reserves the right to change configuration without prior notice when deemed necessary for product improvement.
© 2024, Kawneer Company, Inc.